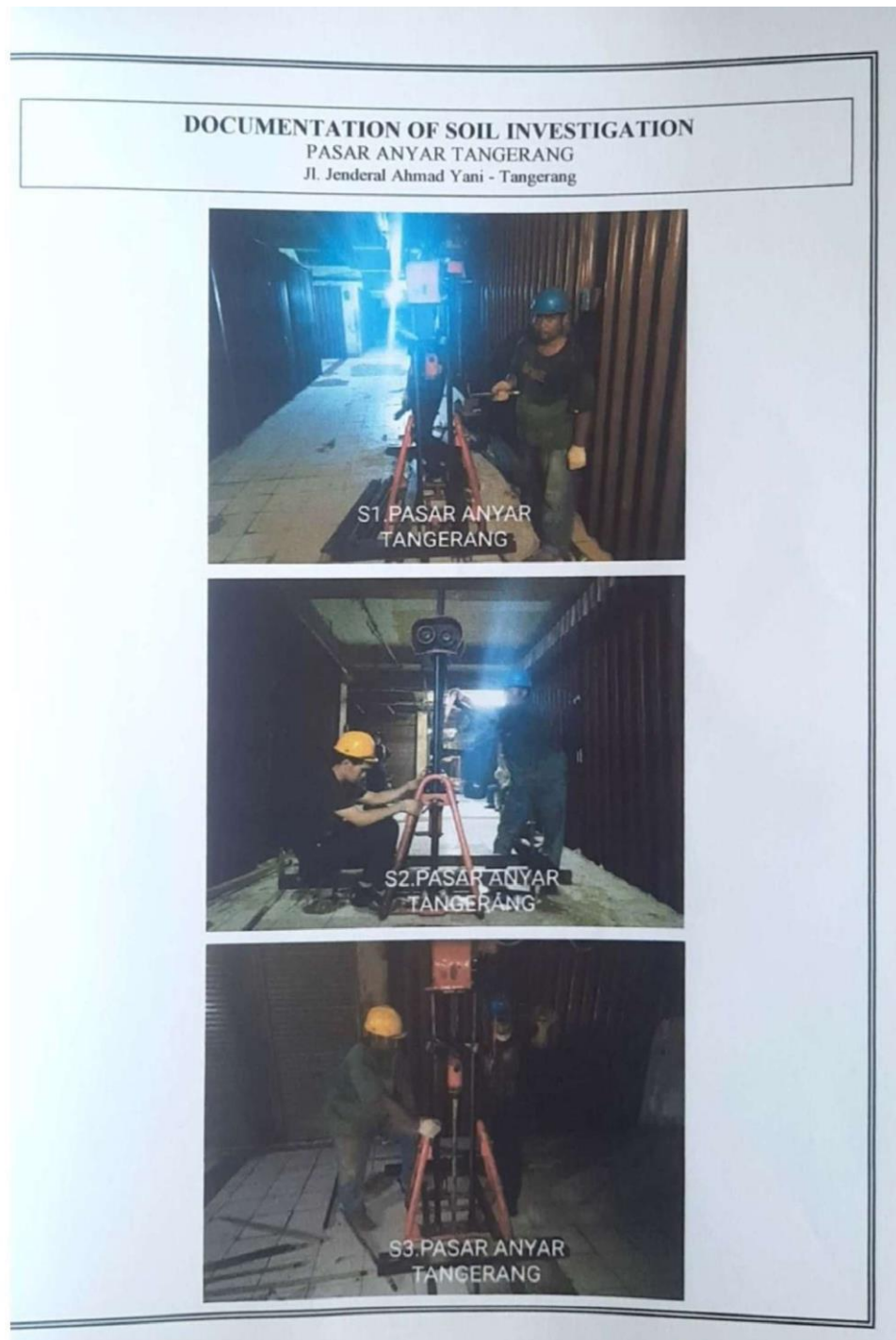
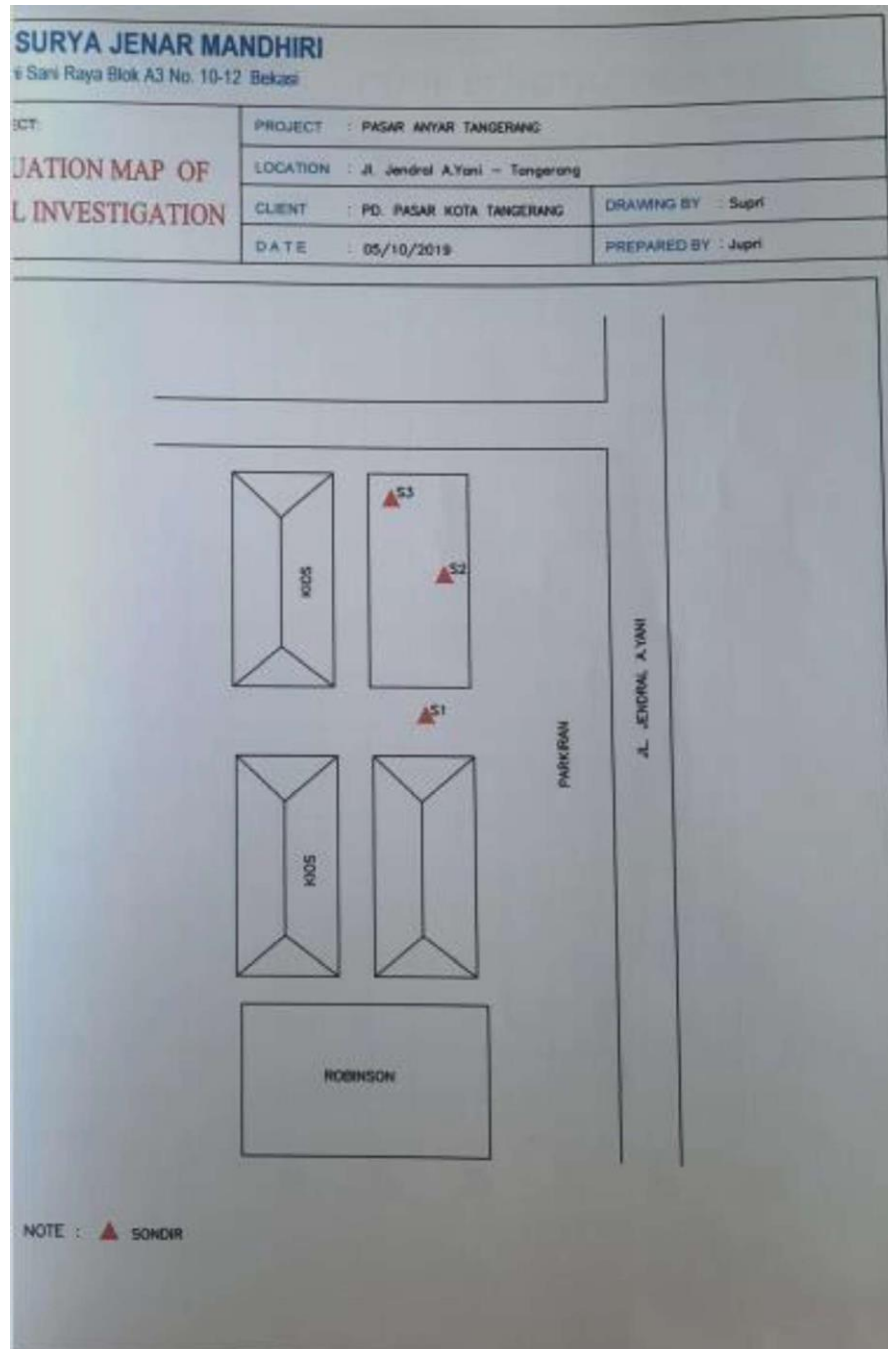


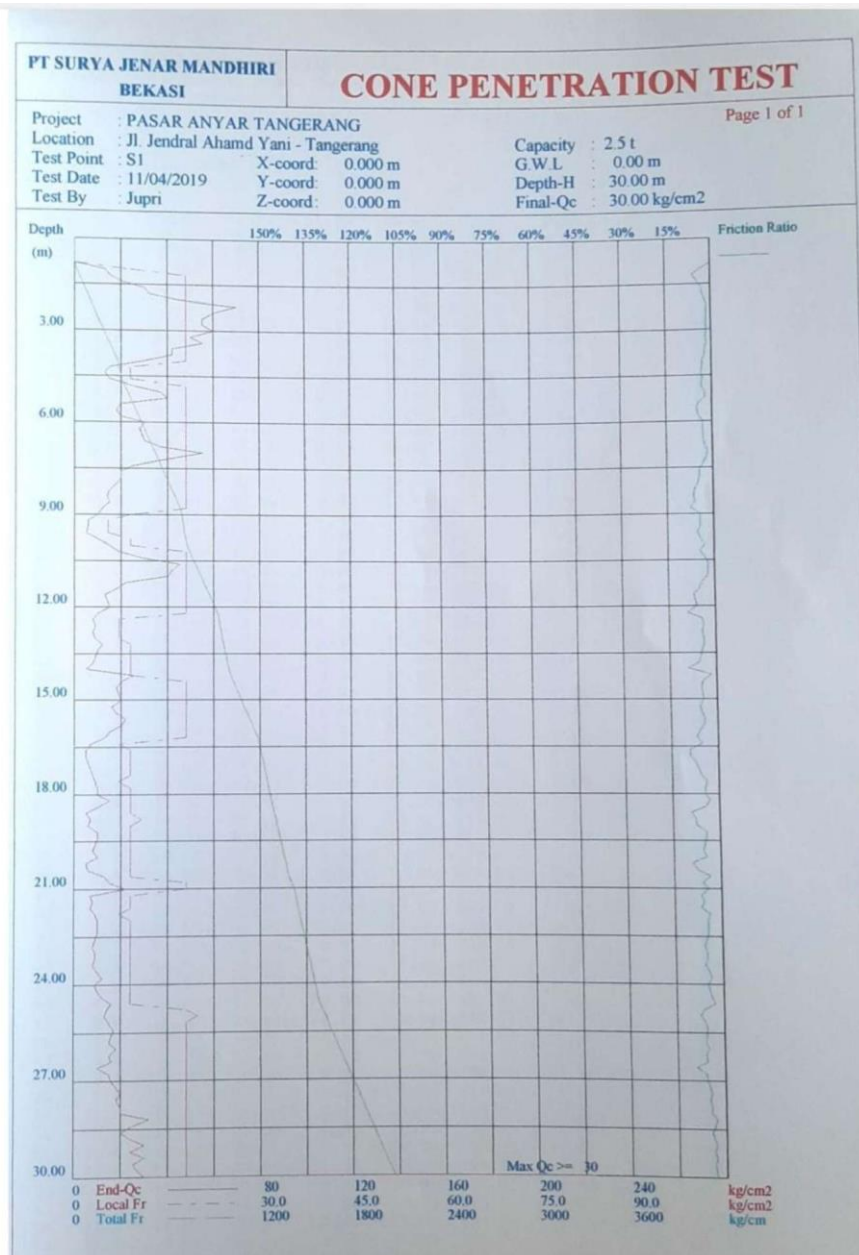
LAMPIRAN



Gambar Dokumentasi Titik Sondir
(sumber : Laporan Hasil Penyelidikan Tanah Pasar Anyar)



Gambar Titik yang Ditinjau
(sumber : Laporan Hasil Penyelidikan Tanah Pasar Anyar)



Gambar Grafik Hasil Pengujian Penetrasi Kerucut S1
(sumber : Laporan Hasil Penyelidikan Tanah Pasar Anyar)

CPT V.2.0
 Cone Penetration Test
 Project : PASAR ANYAR TANGERANG
 Location : Jl. Jendral Ahmad Yani - Tangerang
 Job No : 41/S-SJM/04/2019
 Point : S1
 Test No : 0
 Test By : Jupri
 Test Date : 11/04/2019

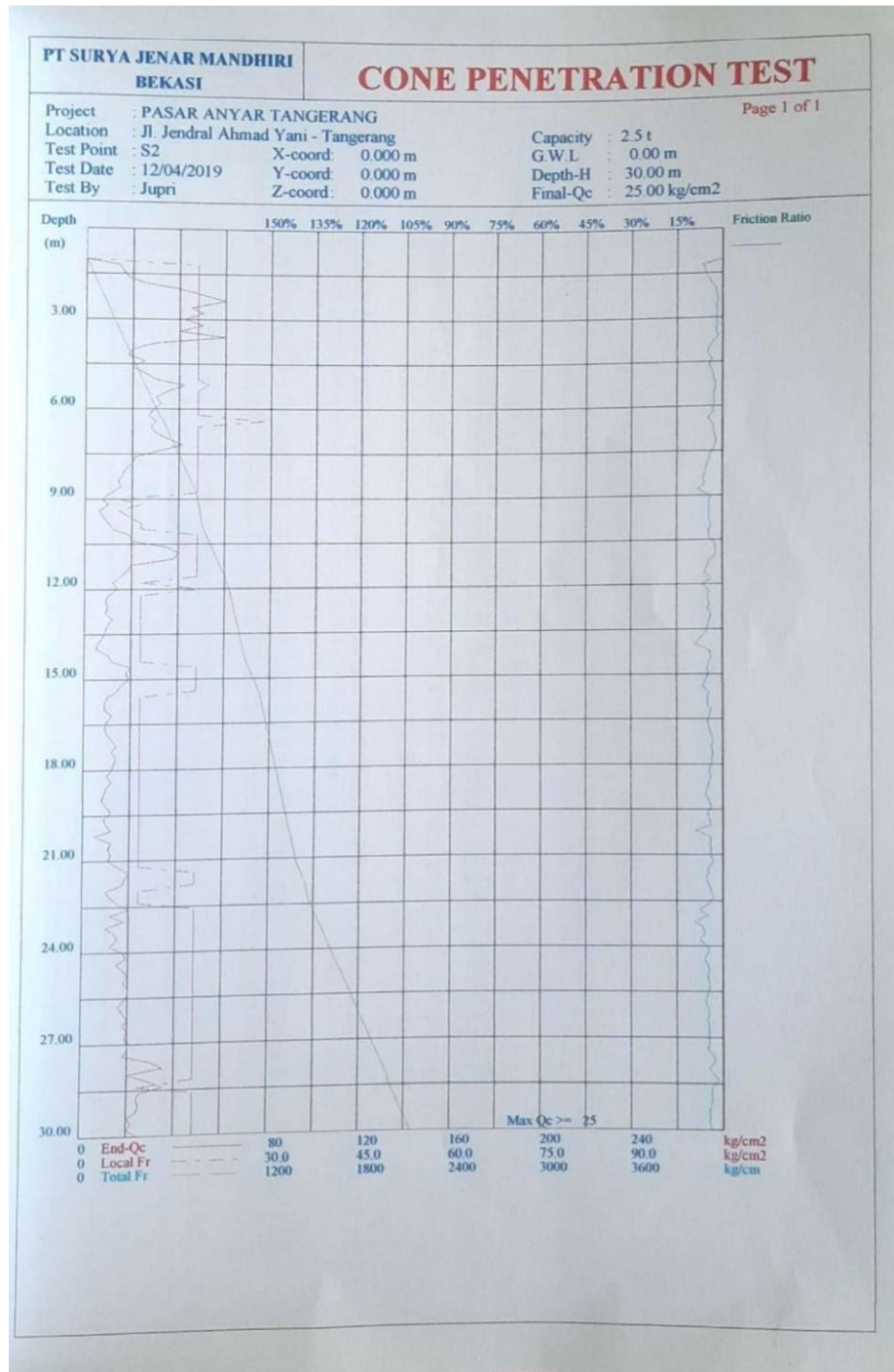
| No. | Depth (m) | R1 | R2 | LF | LFF | TF | FR |
|-----|--------------|-------|-------|------|-------|--------|------|
| 0 | 0.0 | 0.00 | 0.00 | 0.00 | 0.00 | 0.00 | 0.00 |
| 1 | 0.2 | 0.00 | 0.00 | 0.00 | 0.00 | 0.00 | 0.00 |
| 2 | 0.4 | 0.00 | 0.00 | 0.00 | 0.00 | 0.00 | 0.00 |
| 3 | 0.6 | 0.00 | 0.00 | 0.00 | 0.00 | 0.00 | 0.00 |
| 4 | 0.8 | 0.00 | 0.00 | 0.00 | 0.00 | 0.00 | 0.00 |
| 5 | 1.0 | 13.00 | 18.00 | 0.45 | 9.00 | 9.00 | 3.46 |
| 6 | 1.2 | 15.00 | 25.00 | 0.90 | 17.99 | 26.99 | 6.00 |
| 7 | 1.4 | 20.00 | 30.00 | 0.90 | 17.99 | 44.98 | 4.50 |
| 8 | 1.6 | 30.00 | 40.00 | 0.90 | 17.99 | 62.98 | 3.00 |
| 9 | 1.8 | 32.00 | 42.00 | 0.90 | 17.99 | 80.97 | 2.81 |
| 10 | 2.0 | 45.00 | 55.00 | 0.90 | 17.99 | 98.96 | 2.00 |
| 11 | 2.2 | 70.00 | 80.00 | 0.90 | 17.99 | 116.96 | 1.29 |
| 12 | 2.4 | 60.00 | 70.00 | 0.90 | 17.99 | 134.95 | 1.50 |
| 13 | 2.6 | 55.00 | 65.00 | 0.90 | 17.99 | 152.95 | 1.64 |
| 14 | 2.8 | 55.00 | 65.00 | 0.90 | 17.99 | 170.94 | 1.64 |
| 15 | 3.0 | 60.00 | 70.00 | 0.90 | 17.99 | 188.93 | 1.50 |
| 16 | 3.2 | 50.00 | 60.00 | 0.90 | 17.99 | 206.93 | 1.80 |
| 17 | 3.4 | 55.00 | 65.00 | 0.90 | 17.99 | 224.92 | 1.64 |
| 18 | 3.6 | 42.00 | 52.00 | 0.90 | 17.99 | 242.91 | 2.14 |
| 19 | 3.8 | 42.00 | 52.00 | 0.90 | 17.99 | 260.91 | 2.14 |
| 20 | 4.0 | 30.00 | 40.00 | 0.90 | 17.99 | 278.90 | 3.00 |
| 21 | 4.2 | 15.00 | 20.00 | 0.45 | 9.00 | 287.90 | 3.00 |
| 22 | 4.4 | 13.00 | 18.00 | 0.45 | 9.00 | 296.89 | 3.46 |
| 23 | 4.6 | 15.00 | 20.00 | 0.45 | 9.00 | 305.89 | 3.00 |
| 24 | 4.8 | 25.00 | 35.00 | 0.90 | 17.99 | 323.89 | 3.60 |
| 25 | 5.0 | 37.00 | 47.00 | 0.90 | 17.99 | 341.88 | 2.43 |
| 26 | 5.2 | 40.00 | 50.00 | 0.90 | 17.99 | 359.87 | 2.25 |
| 27 | 5.4 | 20.00 | 30.00 | 0.90 | 17.99 | 377.87 | 4.50 |
| 28 | 5.6 | 18.00 | 28.00 | 0.90 | 17.99 | 395.86 | 5.00 |
| 29 | 5.8 | 20.00 | 30.00 | 0.90 | 17.99 | 413.85 | 4.50 |
| 30 | 6.0 | 30.00 | 40.00 | 0.90 | 17.99 | 431.85 | 3.00 |
| 31 | 6.2 | 28.00 | 38.00 | 0.90 | 17.99 | 449.84 | 3.21 |
| 32 | 6.4 | 29.00 | 39.00 | 0.90 | 17.99 | 467.83 | 3.10 |
| 33 | 6.6 | 30.00 | 40.00 | 0.90 | 17.99 | 485.83 | 3.00 |
| 34 | 6.8 | 37.00 | 47.00 | 0.90 | 17.99 | 503.82 | 2.43 |
| 35 | 7.0 | 55.00 | 65.00 | 0.90 | 17.99 | 521.82 | 1.64 |
| 36 | 7.2 | 40.00 | 50.00 | 0.90 | 17.99 | 539.81 | 2.25 |
| 37 | 7.4 | 25.00 | 35.00 | 0.90 | 17.99 | 557.80 | 3.60 |
| 38 | 7.6 | 20.00 | 30.00 | 0.90 | 17.99 | 575.80 | 4.50 |
| 39 | 7.8 | 20.00 | 30.00 | 0.90 | 17.99 | 593.79 | 4.50 |
| 40 | 8.0 | 18.00 | 28.00 | 0.90 | 17.99 | 611.78 | 5.00 |
| 41 | 8.2 | 15.00 | 25.00 | 0.90 | 17.99 | 629.78 | 6.00 |
| 42 | 8.4 | 14.00 | 24.00 | 0.90 | 17.99 | 647.77 | 6.43 |
| 43 | 8.6 | 15.00 | 25.00 | 0.90 | 17.99 | 665.76 | 6.00 |
| 44 | 8.8 | 12.00 | 22.00 | 0.90 | 17.99 | 683.76 | 7.50 |
| 45 | 9.0 | 10.00 | 15.00 | 0.45 | 9.00 | 692.75 | 4.50 |
| 46 | 9.2 | 6.00 | 9.00 | 0.27 | 5.40 | 698.15 | 4.50 |
| 47 | 9.4 | 6.00 | 9.00 | 0.27 | 5.40 | 703.55 | 4.50 |
| 48 | 9.6 | 5.00 | 8.00 | 0.27 | 5.40 | 708.95 | 5.40 |
| 49 | 9.8 | 10.00 | 15.00 | 0.45 | 9.00 | 717.95 | 4.50 |
| 50 | 10.0 | 15.00 | 20.00 | 0.45 | 9.00 | 726.94 | 3.00 |
| 51 | 10.2 | 19.00 | 29.00 | 0.90 | 17.99 | 744.94 | 4.74 |
| 52 | 10.4 | 29.00 | 39.00 | 0.90 | 17.99 | 762.93 | 3.10 |
| 53 | 10.6 | 45.00 | 55.00 | 0.90 | 17.99 | 780.92 | 2.00 |
| 54 | 10.8 | 42.00 | 52.00 | 0.90 | 17.99 | 798.92 | 2.14 |
| 55 | 11.0 | 40.00 | 50.00 | 0.90 | 17.99 | 816.91 | 2.25 |
| 56 | 11.2 | 22.00 | 32.00 | 0.90 | 17.99 | 834.90 | 4.09 |
| 57 | 11.4 | 18.00 | 28.00 | 0.90 | 17.99 | 852.90 | 5.00 |
| 58 | 11.6 | 13.00 | 23.00 | 0.90 | 17.99 | 870.89 | 6.92 |
| 59 | 11.8 | 14.00 | 24.00 | 0.90 | 17.99 | 888.89 | 6.43 |
| 60 | 12.0 | 15.00 | 25.00 | 0.90 | 17.99 | 906.88 | 6.00 |
| 61 | 12.2 | 10.00 | 20.00 | 0.90 | 17.99 | 924.87 | 9.00 |
| 62 | 12.4 | 8.00 | 12.00 | 0.36 | 7.20 | 932.07 | 4.50 |
| 63 | 12.6 | 9.00 | 13.00 | 0.36 | 7.20 | 939.27 | 4.00 |
| 64 | 12.8 | 8.00 | 12.00 | 0.36 | 7.20 | 946.46 | 4.50 |

Gambar Hasil Pengujian Sondir Pada S1
(sumber : Laporan Hasil Penyelidikan Tanah Pasar Anyar)

| | | | | | | | |
|-----|------|-------|-------|------|-------|---------|------|
| 65 | 13.0 | 9.00 | 13.00 | 0.36 | 7.20 | 953.66 | 4.00 |
| 66 | 13.2 | 12.00 | 17.00 | 0.45 | 9.00 | 962.66 | 3.75 |
| 67 | 13.4 | 10.00 | 15.00 | 0.45 | 9.00 | 971.66 | 4.50 |
| 68 | 13.6 | 9.00 | 14.00 | 0.45 | 9.00 | 980.65 | 5.00 |
| 69 | 13.8 | 8.00 | 13.00 | 0.45 | 9.00 | 989.65 | 5.62 |
| 70 | 14.0 | 5.00 | 10.00 | 0.45 | 9.00 | 998.65 | 9.00 |
| 71 | 14.2 | 25.00 | 30.00 | 0.45 | 9.00 | 1007.64 | 1.80 |
| 72 | 14.4 | 20.00 | 30.00 | 0.90 | 17.99 | 1025.64 | 4.50 |
| 73 | 14.6 | 18.00 | 28.00 | 0.90 | 17.99 | 1043.63 | 5.00 |
| 74 | 14.8 | 19.00 | 29.00 | 0.90 | 17.99 | 1061.62 | 4.74 |
| 75 | 15.0 | 20.00 | 30.00 | 0.90 | 17.99 | 1079.62 | 4.50 |
| 76 | 15.2 | 16.00 | 26.00 | 0.90 | 17.99 | 1097.61 | 5.62 |
| 77 | 15.4 | 18.00 | 28.00 | 0.90 | 17.99 | 1115.61 | 5.00 |
| 78 | 15.6 | 22.00 | 32.00 | 0.90 | 17.99 | 1133.60 | 4.09 |
| 79 | 15.8 | 20.00 | 30.00 | 0.90 | 17.99 | 1151.59 | 4.50 |
| 80 | 16.0 | 15.00 | 25.00 | 0.90 | 17.99 | 1169.59 | 6.00 |
| 81 | 16.2 | 13.00 | 23.00 | 0.90 | 17.99 | 1187.58 | 6.92 |
| 82 | 16.4 | 7.00 | 11.00 | 0.36 | 7.20 | 1194.78 | 5.14 |
| 83 | 16.6 | 5.00 | 10.00 | 0.45 | 9.00 | 1203.77 | 9.00 |
| 84 | 16.8 | 5.00 | 10.00 | 0.45 | 9.00 | 1212.77 | 9.00 |
| 85 | 17.0 | 6.00 | 11.00 | 0.45 | 9.00 | 1221.77 | 7.50 |
| 86 | 17.2 | 7.00 | 12.00 | 0.45 | 9.00 | 1230.76 | 6.43 |
| 87 | 17.4 | 8.00 | 13.00 | 0.45 | 9.00 | 1239.76 | 5.62 |
| 88 | 17.6 | 9.00 | 13.00 | 0.36 | 7.20 | 1246.96 | 4.00 |
| 89 | 17.8 | 10.00 | 15.00 | 0.45 | 9.00 | 1255.96 | 4.50 |
| 90 | 18.0 | 10.00 | 15.00 | 0.45 | 9.00 | 1264.95 | 4.50 |
| 91 | 18.2 | 15.00 | 20.00 | 0.45 | 9.00 | 1273.95 | 3.00 |
| 92 | 18.4 | 10.00 | 15.00 | 0.45 | 9.00 | 1282.95 | 4.50 |
| 93 | 18.6 | 5.00 | 10.00 | 0.45 | 9.00 | 1291.94 | 9.00 |
| 94 | 18.8 | 7.00 | 13.00 | 0.45 | 10.80 | 1302.74 | 7.71 |
| 95 | 19.0 | 6.00 | 11.00 | 0.45 | 9.00 | 1311.74 | 7.50 |
| 96 | 19.2 | 10.00 | 15.00 | 0.45 | 9.00 | 1320.73 | 4.50 |
| 97 | 19.4 | 10.00 | 15.00 | 0.45 | 9.00 | 1329.73 | 4.50 |
| 98 | 19.6 | 9.00 | 14.00 | 0.45 | 9.00 | 1338.73 | 5.00 |
| 99 | 19.8 | 8.00 | 13.00 | 0.45 | 9.00 | 1347.72 | 5.62 |
| 100 | 20.0 | 10.00 | 15.00 | 0.45 | 9.00 | 1356.72 | 4.50 |
| 101 | 20.2 | 5.00 | 10.00 | 0.45 | 9.00 | 1365.72 | 9.00 |
| 102 | 20.4 | 6.00 | 11.00 | 0.45 | 9.00 | 1374.71 | 7.50 |
| 103 | 20.6 | 13.00 | 18.00 | 0.45 | 9.00 | 1383.71 | 3.46 |
| 104 | 20.8 | 15.00 | 25.00 | 0.90 | 17.99 | 1401.70 | 6.00 |
| 105 | 21.0 | 22.00 | 32.00 | 0.90 | 17.99 | 1419.70 | 4.09 |
| 106 | 21.2 | 7.00 | 12.00 | 0.45 | 9.00 | 1428.69 | 6.43 |
| 107 | 21.4 | 8.00 | 13.00 | 0.45 | 9.00 | 1437.69 | 5.62 |
| 108 | 21.6 | 7.00 | 12.00 | 0.45 | 9.00 | 1446.69 | 6.43 |
| 109 | 21.8 | 9.00 | 13.00 | 0.36 | 7.20 | 1453.89 | 4.00 |
| 110 | 22.0 | 10.00 | 15.00 | 0.45 | 9.00 | 1462.88 | 4.50 |
| 111 | 22.2 | 10.00 | 15.00 | 0.45 | 9.00 | 1471.88 | 4.50 |
| 112 | 22.4 | 10.00 | 15.00 | 0.45 | 9.00 | 1480.88 | 4.50 |
| 113 | 22.6 | 9.00 | 14.00 | 0.45 | 9.00 | 1489.87 | 5.00 |
| 114 | 22.8 | 8.00 | 13.00 | 0.45 | 9.00 | 1498.87 | 5.62 |
| 115 | 23.0 | 9.00 | 14.00 | 0.45 | 9.00 | 1507.87 | 5.00 |
| 116 | 23.2 | 9.00 | 14.00 | 0.45 | 9.00 | 1516.86 | 5.00 |
| 117 | 23.4 | 8.00 | 13.00 | 0.45 | 9.00 | 1525.86 | 5.62 |
| 118 | 23.6 | 10.00 | 15.00 | 0.45 | 9.00 | 1534.86 | 4.50 |
| 119 | 23.8 | 12.00 | 17.00 | 0.45 | 9.00 | 1543.85 | 3.75 |
| 120 | 24.0 | 9.00 | 14.00 | 0.45 | 9.00 | 1552.85 | 5.00 |
| 121 | 24.2 | 10.00 | 15.00 | 0.45 | 9.00 | 1561.85 | 4.50 |
| 122 | 24.4 | 12.00 | 17.00 | 0.45 | 9.00 | 1570.84 | 3.75 |
| 123 | 24.6 | 16.00 | 21.00 | 0.45 | 9.00 | 1579.84 | 2.81 |
| 124 | 24.8 | 14.00 | 24.00 | 0.90 | 17.99 | 1597.83 | 6.43 |
| 125 | 25.0 | 13.00 | 24.00 | 0.99 | 19.79 | 1617.63 | 7.61 |
| 126 | 25.2 | 15.00 | 25.00 | 0.90 | 17.99 | 1635.62 | 6.00 |
| 127 | 25.4 | 17.00 | 27.00 | 0.90 | 17.99 | 1653.61 | 5.29 |
| 128 | 25.6 | 16.00 | 26.00 | 0.90 | 17.99 | 1671.61 | 5.62 |
| 129 | 25.8 | 15.00 | 25.00 | 0.90 | 17.99 | 1689.60 | 6.00 |
| 130 | 26.0 | 18.00 | 28.00 | 0.90 | 17.99 | 1707.60 | 5.00 |
| 131 | 26.2 | 15.00 | 25.00 | 0.90 | 17.99 | 1725.59 | 6.00 |
| 132 | 26.4 | 16.00 | 26.00 | 0.90 | 17.99 | 1743.58 | 5.62 |
| 133 | 26.6 | 10.00 | 20.00 | 0.90 | 17.99 | 1761.58 | 9.00 |
| 134 | 26.8 | 15.00 | 25.00 | 0.90 | 17.99 | 1779.57 | 6.00 |
| 135 | 27.0 | 16.00 | 26.00 | 0.90 | 17.99 | 1797.56 | 5.62 |
| 136 | 27.2 | 18.00 | 28.00 | 0.90 | 17.99 | 1815.56 | 5.00 |
| 137 | 27.4 | 20.00 | 30.00 | 0.90 | 17.99 | 1833.55 | 4.50 |
| 138 | 27.6 | 18.00 | 28.00 | 0.90 | 17.99 | 1851.54 | 5.00 |
| 139 | 27.8 | 20.00 | 30.00 | 0.90 | 17.99 | 1869.54 | 4.50 |
| 140 | 28.0 | 20.00 | 30.00 | 0.90 | 17.99 | 1887.53 | 4.50 |

| | | | | | | | |
|-----|------|-------|-------|------|-------|---------|------|
| 141 | 28.2 | 32.00 | 42.00 | 0.90 | 17.99 | 1905.53 | 2.81 |
| 142 | 28.4 | 25.00 | 35.00 | 0.90 | 17.99 | 1923.52 | 3.60 |
| 143 | 28.6 | 20.00 | 30.00 | 0.90 | 17.99 | 1941.51 | 4.50 |
| 144 | 28.8 | 24.00 | 34.00 | 0.90 | 17.99 | 1959.51 | 3.75 |
| 145 | 29.0 | 30.00 | 40.00 | 0.90 | 17.99 | 1977.50 | 3.00 |
| 146 | 29.2 | 24.00 | 34.00 | 0.90 | 17.99 | 1995.49 | 3.75 |
| 147 | 29.4 | 30.00 | 40.00 | 0.90 | 17.99 | 2013.49 | 3.00 |
| 148 | 29.6 | 25.00 | 35.00 | 0.90 | 17.99 | 2031.48 | 3.60 |
| 149 | 29.8 | 27.00 | 37.00 | 0.90 | 17.99 | 2049.47 | 3.33 |
| 150 | 30.0 | 30.00 | 40.00 | 0.90 | 17.99 | 2067.47 | 3.00 |

Gambar Hasil Pengujian Sondir Pada S1
(sumber : Laporan Hasil Penyelidikan Tanah Pasar Anyar)



Gambar Grafik Hasil Pengujian Penetrasi Kerucut S2
(sumber : Laporan Hasil Penyelidikan Tanah Pasar Anyar)

CPT V.2.0
 Cone Penetration Test
 Project : PASAR ANYAR TANGERANG
 Location : Jl. Jendral Ahmad Yani - Tangerang
 Job No : 41/S-SJM/04/2019
 Point : S2
 Test No : 0
 Test By : Jupri
 Test Date : 12/04/2019

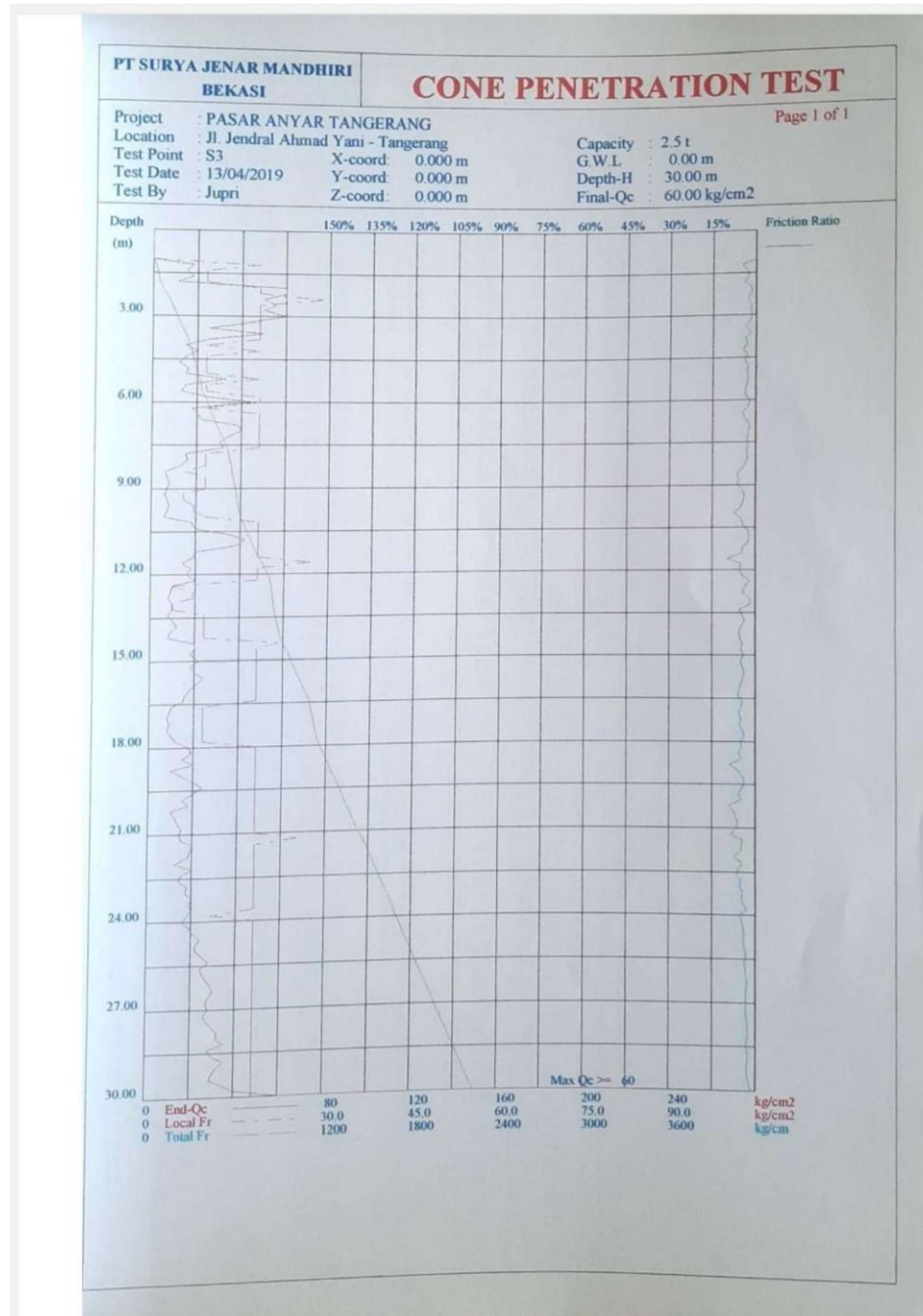
| No. | Depth (m) | R1 | R2 | LF | LFF | TF | FR |
|-----|--------------|-------|-------|------|-------|--------|------|
| 0 | 0.0 | 0.00 | 0.00 | 0.00 | 0.00 | 0.00 | 0.00 |
| 1 | 0.2 | 0.00 | 0.00 | 0.00 | 0.00 | 0.00 | 0.00 |
| 2 | 0.4 | 0.00 | 0.00 | 0.00 | 0.00 | 0.00 | 0.00 |
| 3 | 0.6 | 0.00 | 0.00 | 0.00 | 0.00 | 0.00 | 0.00 |
| 4 | 0.8 | 0.00 | 0.00 | 0.00 | 0.00 | 0.00 | 0.00 |
| 5 | 1.0 | 0.00 | 0.00 | 0.00 | 0.00 | 0.00 | 0.00 |
| 6 | 1.2 | 14.00 | 24.00 | 0.90 | 17.99 | 17.99 | 6.43 |
| 7 | 1.4 | 16.00 | 26.00 | 0.90 | 17.99 | 35.99 | 5.62 |
| 8 | 1.6 | 18.00 | 28.00 | 0.90 | 17.99 | 53.98 | 5.00 |
| 9 | 1.8 | 25.00 | 35.00 | 0.90 | 17.99 | 71.97 | 3.60 |
| 10 | 2.0 | 40.00 | 50.00 | 0.90 | 17.99 | 89.97 | 2.25 |
| 11 | 2.2 | 50.00 | 60.00 | 0.90 | 17.99 | 107.96 | 1.80 |
| 12 | 2.4 | 60.00 | 70.00 | 0.90 | 17.99 | 125.96 | 1.50 |
| 13 | 2.6 | 45.00 | 55.00 | 0.90 | 17.99 | 143.95 | 2.00 |
| 14 | 2.8 | 50.00 | 60.00 | 0.90 | 17.99 | 161.94 | 1.80 |
| 15 | 3.0 | 42.00 | 52.00 | 0.90 | 17.99 | 179.94 | 2.14 |
| 16 | 3.2 | 50.00 | 60.00 | 0.90 | 17.99 | 197.93 | 1.80 |
| 17 | 3.4 | 40.00 | 50.00 | 0.90 | 17.99 | 215.92 | 2.25 |
| 18 | 3.6 | 60.00 | 70.00 | 0.90 | 17.99 | 233.92 | 1.50 |
| 19 | 3.8 | 30.00 | 40.00 | 0.90 | 17.99 | 251.91 | 3.00 |
| 20 | 4.0 | 20.00 | 30.00 | 0.90 | 17.99 | 269.90 | 4.50 |
| 21 | 4.2 | 18.00 | 28.00 | 0.90 | 17.99 | 287.90 | 5.00 |
| 22 | 4.4 | 25.00 | 35.00 | 0.90 | 17.99 | 305.89 | 3.60 |
| 23 | 4.6 | 20.00 | 30.00 | 0.90 | 17.99 | 323.89 | 4.50 |
| 24 | 4.8 | 25.00 | 35.00 | 0.90 | 17.99 | 341.88 | 3.60 |
| 25 | 5.0 | 30.00 | 40.00 | 0.90 | 17.99 | 359.87 | 3.00 |
| 26 | 5.2 | 42.00 | 53.00 | 0.99 | 19.79 | 379.67 | 2.36 |
| 27 | 5.4 | 35.00 | 45.00 | 0.90 | 17.99 | 397.66 | 2.57 |
| 28 | 5.6 | 30.00 | 40.00 | 0.90 | 17.99 | 415.65 | 3.00 |
| 29 | 5.8 | 32.00 | 42.00 | 0.90 | 17.99 | 433.65 | 2.81 |
| 30 | 6.0 | 29.00 | 39.00 | 0.90 | 17.99 | 451.64 | 3.10 |
| 31 | 6.2 | 27.00 | 37.00 | 0.90 | 17.99 | 469.63 | 3.33 |
| 32 | 6.4 | 30.00 | 46.00 | 1.44 | 28.79 | 498.42 | 4.80 |
| 33 | 6.6 | 28.00 | 38.00 | 0.90 | 17.99 | 516.42 | 3.21 |
| 34 | 6.8 | 30.00 | 40.00 | 0.90 | 17.99 | 534.41 | 3.00 |
| 35 | 7.0 | 35.00 | 45.00 | 0.90 | 17.99 | 552.40 | 2.57 |
| 36 | 7.2 | 41.00 | 51.00 | 0.90 | 17.99 | 570.40 | 2.19 |
| 37 | 7.4 | 30.00 | 40.00 | 0.90 | 17.99 | 588.39 | 3.00 |
| 38 | 7.6 | 21.00 | 31.00 | 0.90 | 17.99 | 606.39 | 4.28 |
| 39 | 7.8 | 20.00 | 30.00 | 0.90 | 17.99 | 624.38 | 4.50 |
| 40 | 8.0 | 17.00 | 27.00 | 0.90 | 17.99 | 642.37 | 5.29 |
| 41 | 8.2 | 16.00 | 26.00 | 0.90 | 17.99 | 660.37 | 5.62 |
| 42 | 8.4 | 14.00 | 24.00 | 0.90 | 17.99 | 678.36 | 6.43 |
| 43 | 8.6 | 15.00 | 25.00 | 0.90 | 17.99 | 696.35 | 6.00 |
| 44 | 8.8 | 11.00 | 21.00 | 0.90 | 17.99 | 714.35 | 8.18 |
| 45 | 9.0 | 7.00 | 10.00 | 0.27 | 5.40 | 719.75 | 3.86 |
| 46 | 9.2 | 10.00 | 15.00 | 0.45 | 9.00 | 728.74 | 4.50 |
| 47 | 9.4 | 6.00 | 9.00 | 0.27 | 5.40 | 734.14 | 4.50 |
| 48 | 9.6 | 8.00 | 12.00 | 0.36 | 7.20 | 741.34 | 4.50 |
| 49 | 9.8 | 10.00 | 15.00 | 0.45 | 9.00 | 750.33 | 4.50 |
| 50 | 10.0 | 12.00 | 17.00 | 0.45 | 9.00 | 759.33 | 3.75 |
| 51 | 10.2 | 19.00 | 29.00 | 0.90 | 17.99 | 777.32 | 4.74 |
| 52 | 10.4 | 20.00 | 30.00 | 0.90 | 17.99 | 795.32 | 4.50 |
| 53 | 10.6 | 35.00 | 45.00 | 0.90 | 17.99 | 813.31 | 2.57 |
| 54 | 10.8 | 40.00 | 50.00 | 0.90 | 17.99 | 831.31 | 2.25 |
| 55 | 11.0 | 38.00 | 48.00 | 0.90 | 17.99 | 849.30 | 2.37 |
| 56 | 11.2 | 20.00 | 30.00 | 0.90 | 17.99 | 867.29 | 4.50 |
| 57 | 11.4 | 18.00 | 28.00 | 0.90 | 17.99 | 885.29 | 5.00 |
| 58 | 11.6 | 15.00 | 25.00 | 0.90 | 17.99 | 903.28 | 6.00 |
| 59 | 11.8 | 12.00 | 17.00 | 0.45 | 9.00 | 912.28 | 3.75 |
| 60 | 12.0 | 14.00 | 24.00 | 0.90 | 17.99 | 930.27 | 6.43 |
| 61 | 12.2 | 10.00 | 15.00 | 0.45 | 9.00 | 939.27 | 4.50 |
| 62 | 12.4 | 9.00 | 14.00 | 0.45 | 9.00 | 948.26 | 5.00 |
| 63 | 12.6 | 10.00 | 15.00 | 0.45 | 9.00 | 957.26 | 4.50 |
| 64 | 12.8 | 9.00 | 14.00 | 0.45 | 9.00 | 966.26 | 5.00 |

Gambar Hasil Pengujian Sondir Pada S2
 (sumber : Laporan Hasil Penyelidikan Tanah Pasar Anyar)

| | | | | | | | |
|-----|------|-------|-------|------|-------|---------|------|
| 65 | 13.0 | 12.00 | 17.00 | 0.45 | 9.00 | 975.25 | 3.75 |
| 66 | 13.2 | 10.00 | 15.00 | 0.45 | 9.00 | 984.25 | 4.50 |
| 67 | 13.4 | 9.00 | 14.00 | 0.45 | 9.00 | 993.25 | 5.00 |
| 68 | 13.6 | 8.00 | 13.00 | 0.45 | 9.00 | 1002.25 | 5.62 |
| 69 | 13.8 | 6.00 | 11.00 | 0.45 | 9.00 | 1011.24 | 7.50 |
| 70 | 14.0 | 5.00 | 10.00 | 0.45 | 9.00 | 1020.24 | 9.00 |
| 71 | 14.2 | 10.00 | 15.00 | 0.45 | 9.00 | 1029.24 | 4.50 |
| 72 | 14.4 | 12.00 | 17.00 | 0.45 | 9.00 | 1038.23 | 3.75 |
| 73 | 14.6 | 20.00 | 30.00 | 0.90 | 17.99 | 1056.23 | 4.50 |
| 74 | 14.8 | 18.00 | 28.00 | 0.90 | 17.99 | 1074.22 | 5.00 |
| 75 | 15.0 | 19.00 | 29.00 | 0.90 | 17.99 | 1092.21 | 4.74 |
| 76 | 15.2 | 16.00 | 26.00 | 0.90 | 17.99 | 1110.21 | 5.62 |
| 77 | 15.4 | 14.00 | 24.00 | 0.90 | 17.99 | 1128.20 | 6.43 |
| 78 | 15.6 | 10.00 | 15.00 | 0.45 | 9.00 | 1137.20 | 4.50 |
| 79 | 15.8 | 9.00 | 14.00 | 0.45 | 9.00 | 1146.19 | 5.00 |
| 80 | 16.0 | 9.00 | 14.00 | 0.45 | 9.00 | 1155.19 | 5.00 |
| 81 | 16.2 | 12.00 | 17.00 | 0.45 | 9.00 | 1164.19 | 3.75 |
| 82 | 16.4 | 10.00 | 15.00 | 0.45 | 9.00 | 1173.18 | 4.50 |
| 83 | 16.6 | 9.00 | 14.00 | 0.45 | 9.00 | 1182.18 | 5.00 |
| 84 | 16.8 | 10.00 | 15.00 | 0.45 | 9.00 | 1191.18 | 4.50 |
| 85 | 17.0 | 12.00 | 17.00 | 0.45 | 9.00 | 1200.18 | 3.75 |
| 86 | 17.2 | 14.00 | 19.00 | 0.45 | 9.00 | 1209.17 | 3.21 |
| 87 | 17.4 | 12.00 | 17.00 | 0.45 | 9.00 | 1218.17 | 3.75 |
| 88 | 17.6 | 14.00 | 19.00 | 0.45 | 9.00 | 1227.17 | 3.21 |
| 89 | 17.8 | 13.00 | 18.00 | 0.45 | 9.00 | 1236.16 | 3.46 |
| 90 | 18.0 | 12.00 | 17.00 | 0.45 | 9.00 | 1245.16 | 3.75 |
| 91 | 18.2 | 10.00 | 15.00 | 0.45 | 9.00 | 1254.16 | 4.50 |
| 92 | 18.4 | 12.00 | 17.00 | 0.45 | 9.00 | 1263.15 | 3.75 |
| 93 | 18.6 | 10.00 | 15.00 | 0.45 | 9.00 | 1272.15 | 4.50 |
| 94 | 18.8 | 9.00 | 14.00 | 0.45 | 9.00 | 1281.15 | 5.00 |
| 95 | 19.0 | 8.00 | 13.00 | 0.45 | 9.00 | 1290.14 | 5.62 |
| 96 | 19.2 | 10.00 | 15.00 | 0.45 | 9.00 | 1299.14 | 4.50 |
| 97 | 19.4 | 12.00 | 17.00 | 0.45 | 9.00 | 1308.14 | 3.75 |
| 98 | 19.6 | 9.00 | 14.00 | 0.45 | 9.00 | 1317.13 | 5.00 |
| 99 | 19.8 | 10.00 | 15.00 | 0.45 | 9.00 | 1326.13 | 4.50 |
| 100 | 20.0 | 12.00 | 17.00 | 0.45 | 9.00 | 1335.13 | 3.75 |
| 101 | 20.2 | 5.00 | 10.00 | 0.45 | 9.00 | 1344.12 | 9.00 |
| 102 | 20.4 | 12.00 | 17.00 | 0.45 | 9.00 | 1353.12 | 3.75 |
| 103 | 20.6 | 11.00 | 16.00 | 0.45 | 9.00 | 1362.12 | 4.09 |
| 104 | 20.8 | 12.00 | 17.00 | 0.45 | 9.00 | 1371.11 | 3.75 |
| 105 | 21.0 | 11.00 | 16.00 | 0.45 | 9.00 | 1380.11 | 4.09 |
| 106 | 21.2 | 15.00 | 20.00 | 0.45 | 9.00 | 1389.11 | 3.00 |
| 107 | 21.4 | 20.00 | 30.00 | 0.90 | 17.99 | 1407.10 | 4.50 |
| 108 | 21.6 | 18.00 | 28.00 | 0.90 | 17.99 | 1425.10 | 5.00 |
| 109 | 21.8 | 17.00 | 27.00 | 0.90 | 17.99 | 1443.09 | 5.29 |
| 110 | 22.0 | 10.00 | 15.00 | 0.45 | 9.00 | 1452.09 | 4.50 |
| 111 | 22.2 | 12.00 | 17.00 | 0.45 | 9.00 | 1461.08 | 3.75 |
| 112 | 22.4 | 15.00 | 20.00 | 0.45 | 9.00 | 1470.08 | 3.00 |
| 113 | 22.6 | 20.00 | 30.00 | 0.90 | 17.99 | 1488.07 | 4.50 |
| 114 | 22.8 | 12.00 | 22.00 | 0.90 | 17.99 | 1506.07 | 7.50 |
| 115 | 23.0 | 18.00 | 28.00 | 0.90 | 17.99 | 1524.06 | 5.00 |
| 116 | 23.2 | 10.00 | 20.00 | 0.90 | 17.99 | 1542.05 | 9.00 |
| 117 | 23.4 | 14.00 | 24.00 | 0.90 | 17.99 | 1560.05 | 6.43 |
| 118 | 23.6 | 15.00 | 25.00 | 0.90 | 17.99 | 1578.04 | 6.00 |
| 119 | 23.8 | 12.00 | 22.00 | 0.90 | 17.99 | 1596.04 | 7.50 |
| 120 | 24.0 | 18.00 | 28.00 | 0.90 | 17.99 | 1614.03 | 5.00 |
| 121 | 24.2 | 19.00 | 29.00 | 0.90 | 17.99 | 1632.02 | 4.74 |
| 122 | 24.4 | 15.00 | 25.00 | 0.90 | 17.99 | 1650.02 | 6.00 |
| 123 | 24.6 | 18.00 | 28.00 | 0.90 | 17.99 | 1668.01 | 5.00 |
| 124 | 24.8 | 20.00 | 30.00 | 0.90 | 17.99 | 1686.00 | 4.50 |
| 125 | 25.0 | 18.00 | 28.00 | 0.90 | 17.99 | 1704.00 | 5.00 |
| 126 | 25.2 | 20.00 | 30.00 | 0.90 | 17.99 | 1721.99 | 4.50 |
| 127 | 25.4 | 20.00 | 30.00 | 0.90 | 17.99 | 1739.98 | 4.50 |
| 128 | 25.6 | 18.00 | 28.00 | 0.90 | 17.99 | 1757.98 | 5.00 |
| 129 | 25.8 | 16.00 | 26.00 | 0.90 | 17.99 | 1775.97 | 5.62 |
| 130 | 26.0 | 18.00 | 28.00 | 0.90 | 17.99 | 1793.96 | 5.00 |
| 131 | 26.2 | 20.00 | 30.00 | 0.90 | 17.99 | 1811.96 | 4.50 |
| 132 | 26.4 | 18.00 | 28.00 | 0.90 | 17.99 | 1829.95 | 5.00 |
| 133 | 26.6 | 20.00 | 30.00 | 0.90 | 17.99 | 1847.95 | 4.50 |
| 134 | 26.8 | 19.00 | 29.00 | 0.90 | 17.99 | 1865.94 | 4.74 |
| 135 | 27.0 | 20.00 | 30.00 | 0.90 | 17.99 | 1883.93 | 4.50 |
| 136 | 27.2 | 20.00 | 30.00 | 0.90 | 17.99 | 1901.93 | 4.50 |
| 137 | 27.4 | 18.00 | 28.00 | 0.90 | 17.99 | 1919.92 | 5.00 |
| 138 | 27.6 | 30.00 | 40.00 | 0.90 | 17.99 | 1937.91 | 3.00 |
| 139 | 27.8 | 35.00 | 45.00 | 0.90 | 17.99 | 1955.91 | 2.57 |
| 140 | 28.0 | 20.00 | 30.00 | 0.90 | 17.99 | 1973.90 | 4.50 |
| 141 | 28.2 | 28.00 | 38.00 | 0.90 | 17.99 | 1991.89 | 3.21 |
| 142 | 28.4 | 35.00 | 40.00 | 0.45 | 9.00 | 2000.89 | 1.29 |
| 143 | 28.6 | 25.00 | 35.00 | 0.90 | 17.99 | 2018.89 | 3.60 |
| 144 | 28.8 | 24.00 | 34.00 | 0.90 | 17.99 | 2036.88 | 3.75 |
| 145 | 29.0 | 25.00 | 35.00 | 0.90 | 17.99 | 2054.87 | 3.60 |
| 146 | 29.2 | 24.00 | 34.00 | 0.90 | 17.99 | 2072.87 | 3.75 |
| 147 | 29.4 | 20.00 | 30.00 | 0.90 | 17.99 | 2090.86 | 4.50 |
| 148 | 29.6 | 22.00 | 32.00 | 0.90 | 17.99 | 2108.85 | 4.09 |
| 149 | 29.8 | 20.00 | 30.00 | 0.90 | 17.99 | 2126.85 | 4.50 |
| 150 | 30.0 | 25.00 | 35.00 | 0.90 | 17.99 | 2144.84 | 3.60 |

Gambar Hasil Pengujian Sondir Pada S2

(sumber : Laporan Hasil Penyelidikan Tanah Pasar Anyar)



Gambar Grafik Hasil Pengujian Penetrasi Kerucut S3
(sumber : Laporan Hasil Penyelidikan Tanah Pasar Anyar)

CPT V.2.0
Cone Penetration Test
Project : PASAR ANYAR TANGERANG
Location : Jl. Jendral Ahmad Yani - Tangerang
Job No : 41/S-SJM/04/2019
Point : S3
Test No : 0
Test By : Jupri
Test Date : 13/04/2019

| No. | Depth (m) | R1 | R2 | LF | LFF | TF | FR |
|-----|-----------|-------|-------|------|-------|--------|------|
| 0 | 0.0 | 0.00 | 0.00 | 0.00 | 0.00 | 0.00 | 0.00 |
| 1 | 0.2 | 0.00 | 0.00 | 0.00 | 0.00 | 0.00 | 0.00 |
| 2 | 0.4 | 0.00 | 0.00 | 0.00 | 0.00 | 0.00 | 0.00 |
| 3 | 0.6 | 0.00 | 0.00 | 0.00 | 0.00 | 0.00 | 0.00 |
| 4 | 0.8 | 0.00 | 0.00 | 0.00 | 0.00 | 0.00 | 0.00 |
| 5 | 1.0 | 0.00 | 0.00 | 0.00 | 0.00 | 0.00 | 0.00 |
| 6 | 1.2 | 18.00 | 28.00 | 0.90 | 17.99 | 17.99 | 5.00 |
| 7 | 1.4 | 15.00 | 20.00 | 0.45 | 9.00 | 26.99 | 3.00 |
| 8 | 1.6 | 18.00 | 23.00 | 0.45 | 9.00 | 35.99 | 2.50 |
| 9 | 1.8 | 11.00 | 16.00 | 0.45 | 9.00 | 44.98 | 4.09 |
| 10 | 2.0 | 60.00 | 70.00 | 0.90 | 17.99 | 62.98 | 1.50 |
| 11 | 2.2 | 60.00 | 70.00 | 0.90 | 17.99 | 80.97 | 1.50 |
| 12 | 2.4 | 50.00 | 66.00 | 1.44 | 28.79 | 109.76 | 2.88 |
| 13 | 2.6 | 55.00 | 65.00 | 0.90 | 17.99 | 127.75 | 1.64 |
| 14 | 2.8 | 50.00 | 60.00 | 0.90 | 17.99 | 145.75 | 1.80 |
| 15 | 3.0 | 60.00 | 70.00 | 0.90 | 17.99 | 163.74 | 1.50 |
| 16 | 3.2 | 43.00 | 53.00 | 0.90 | 17.99 | 181.74 | 2.09 |
| 17 | 3.4 | 25.00 | 35.00 | 0.90 | 17.99 | 199.73 | 3.60 |
| 18 | 3.6 | 50.00 | 60.00 | 0.90 | 17.99 | 217.72 | 1.80 |
| 19 | 3.8 | 25.00 | 35.00 | 0.90 | 17.99 | 235.72 | 3.60 |
| 20 | 4.0 | 15.00 | 20.00 | 0.45 | 9.00 | 244.71 | 3.00 |
| 21 | 4.2 | 20.00 | 30.00 | 0.90 | 17.99 | 262.71 | 4.50 |
| 22 | 4.4 | 15.00 | 20.00 | 0.45 | 9.00 | 271.70 | 3.00 |
| 23 | 4.6 | 12.00 | 17.00 | 0.45 | 9.00 | 280.70 | 3.75 |
| 24 | 4.8 | 16.00 | 21.00 | 0.45 | 9.00 | 289.70 | 2.81 |
| 25 | 5.0 | 15.00 | 20.00 | 0.45 | 9.00 | 298.69 | 3.00 |
| 26 | 5.2 | 33.00 | 43.00 | 0.90 | 17.99 | 316.69 | 2.73 |
| 27 | 5.4 | 15.00 | 20.00 | 0.45 | 9.00 | 325.68 | 3.00 |
| 28 | 5.6 | 13.00 | 18.00 | 0.45 | 9.00 | 334.68 | 3.46 |
| 29 | 5.8 | 25.00 | 35.00 | 0.90 | 17.99 | 352.68 | 3.60 |
| 30 | 6.0 | 45.00 | 55.00 | 0.90 | 17.99 | 370.67 | 2.00 |
| 31 | 6.2 | 18.00 | 23.00 | 0.45 | 9.00 | 379.67 | 2.50 |
| 32 | 6.4 | 20.00 | 30.00 | 0.90 | 17.99 | 397.66 | 4.50 |
| 33 | 6.6 | 22.00 | 32.00 | 0.90 | 17.99 | 415.65 | 4.09 |
| 34 | 6.8 | 38.00 | 48.00 | 0.90 | 17.99 | 433.65 | 2.37 |
| 35 | 7.0 | 40.00 | 50.00 | 0.90 | 17.99 | 451.64 | 2.25 |
| 36 | 7.2 | 34.00 | 44.00 | 0.90 | 17.99 | 469.63 | 2.65 |
| 37 | 7.4 | 30.00 | 40.00 | 0.90 | 17.99 | 487.63 | 3.00 |
| 38 | 7.6 | 32.00 | 42.00 | 0.90 | 17.99 | 505.62 | 2.81 |
| 39 | 7.8 | 15.00 | 20.00 | 0.45 | 9.00 | 514.62 | 3.00 |
| 40 | 8.0 | 16.00 | 21.00 | 0.45 | 9.00 | 523.61 | 2.81 |
| 41 | 8.2 | 13.00 | 18.00 | 0.45 | 9.00 | 532.61 | 3.46 |
| 42 | 8.4 | 6.00 | 9.00 | 0.27 | 5.40 | 538.01 | 4.50 |
| 43 | 8.6 | 7.00 | 12.00 | 0.45 | 9.00 | 547.01 | 6.43 |
| 44 | 8.8 | 8.00 | 13.00 | 0.45 | 9.00 | 556.00 | 5.62 |
| 45 | 9.0 | 7.00 | 12.00 | 0.45 | 9.00 | 565.00 | 6.43 |
| 46 | 9.2 | 6.00 | 9.00 | 0.27 | 5.40 | 570.40 | 4.50 |
| 47 | 9.4 | 7.00 | 10.00 | 0.27 | 5.40 | 575.80 | 3.86 |
| 48 | 9.6 | 8.00 | 12.00 | 0.36 | 7.20 | 582.99 | 4.50 |
| 49 | 9.8 | 7.00 | 11.00 | 0.36 | 7.20 | 590.19 | 5.14 |
| 50 | 10.0 | 6.00 | 11.00 | 0.45 | 9.00 | 599.19 | 7.50 |
| 51 | 10.2 | 18.00 | 28.00 | 0.90 | 17.99 | 617.18 | 5.00 |
| 52 | 10.4 | 20.00 | 30.00 | 0.90 | 17.99 | 635.18 | 4.50 |
| 53 | 10.6 | 35.00 | 45.00 | 0.90 | 17.99 | 653.17 | 2.57 |
| 54 | 10.8 | 42.00 | 52.00 | 0.90 | 17.99 | 671.16 | 2.14 |
| 55 | 11.0 | 38.00 | 48.00 | 0.90 | 17.99 | 689.16 | 2.37 |
| 56 | 11.2 | 20.00 | 30.00 | 0.90 | 17.99 | 707.15 | 4.50 |
| 57 | 11.4 | 19.00 | 29.00 | 0.90 | 17.99 | 725.14 | 4.74 |
| 58 | 11.6 | 14.00 | 29.00 | 1.35 | 26.99 | 752.13 | 9.64 |
| 59 | 11.8 | 18.00 | 28.00 | 0.90 | 17.99 | 770.13 | 5.00 |
| 60 | 12.0 | 16.00 | 26.00 | 0.90 | 17.99 | 788.12 | 5.62 |
| 61 | 12.2 | 20.00 | 30.00 | 0.90 | 17.99 | 806.11 | 4.50 |
| 62 | 12.4 | 10.00 | 12.00 | 0.18 | 3.60 | 809.71 | 1.80 |
| 63 | 12.6 | 9.00 | 13.00 | 0.36 | 7.20 | 816.91 | 4.00 |
| 64 | 12.8 | 8.00 | 12.00 | 0.36 | 7.20 | 824.11 | 4.50 |

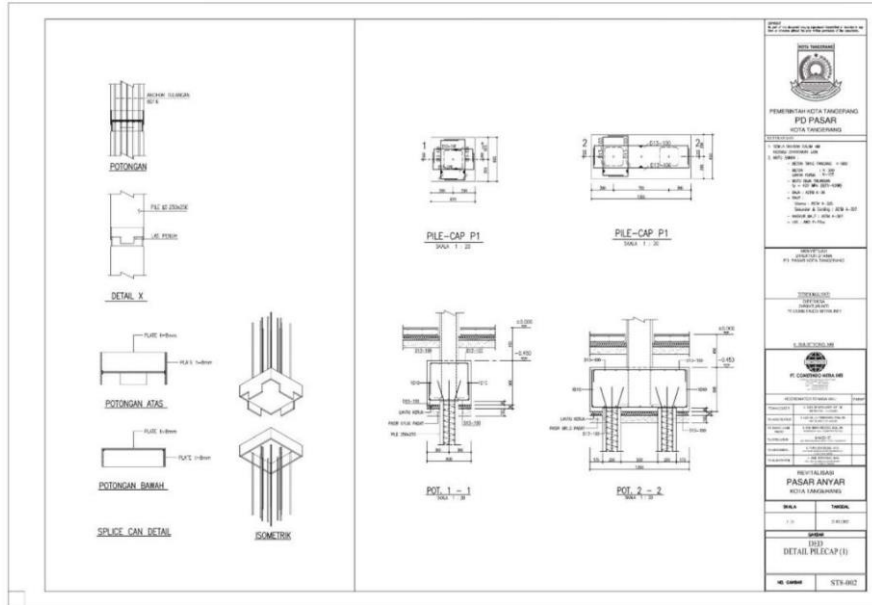
Gambar Hasil Pengujian Sondir Pada S3

(sumber : Laporan Hasil Penyelidikan Tanah Pasar Anyar)

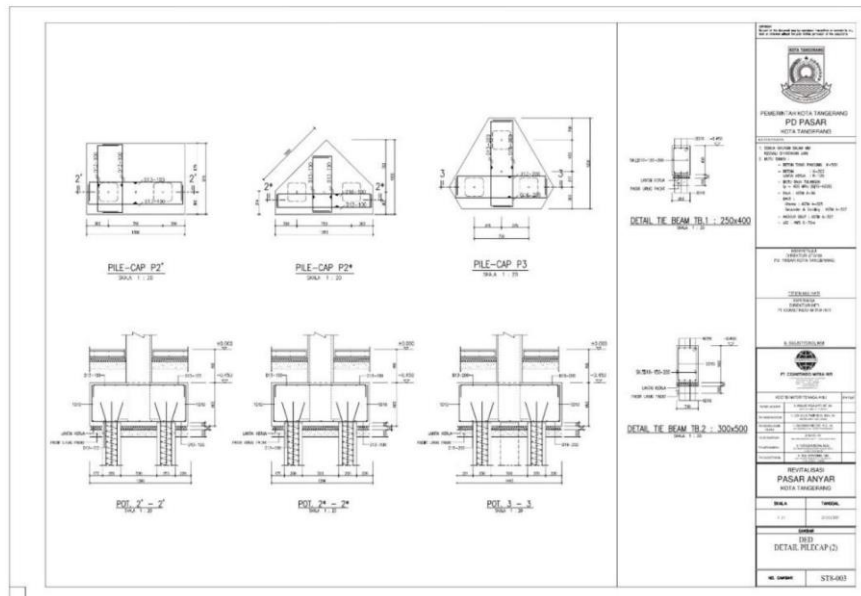
| | | | | | | | |
|-----|------|-------|-------|------|-------|---------|------|
| 65 | 13.0 | 10.00 | 12.00 | 0.18 | 3.60 | 827.71 | 1.80 |
| 66 | 13.2 | 10.00 | 12.00 | 0.18 | 3.60 | 831.31 | 1.80 |
| 67 | 13.4 | 8.00 | 13.00 | 0.45 | 9.00 | 840.30 | 5.62 |
| 68 | 13.6 | 10.00 | 15.00 | 0.45 | 9.00 | 849.30 | 4.50 |
| 69 | 13.8 | 12.00 | 17.00 | 0.45 | 9.00 | 858.30 | 3.75 |
| 70 | 14.0 | 9.00 | 14.00 | 0.45 | 9.00 | 867.29 | 5.00 |
| 71 | 14.2 | 8.00 | 13.00 | 0.45 | 9.00 | 876.29 | 5.62 |
| 72 | 14.4 | 20.00 | 32.00 | 1.08 | 21.59 | 897.88 | 5.40 |
| 73 | 14.6 | 20.00 | 30.00 | 0.90 | 17.99 | 915.88 | 4.50 |
| 74 | 14.8 | 18.00 | 28.00 | 0.90 | 17.99 | 933.87 | 5.00 |
| 75 | 15.0 | 22.00 | 32.00 | 0.90 | 17.99 | 951.86 | 4.09 |
| 76 | 15.2 | 18.00 | 28.00 | 0.90 | 17.99 | 969.86 | 5.00 |
| 77 | 15.4 | 20.00 | 30.00 | 0.90 | 17.99 | 987.85 | 4.50 |
| 78 | 15.6 | 24.00 | 34.00 | 0.90 | 17.99 | 1005.84 | 3.75 |
| 79 | 15.8 | 21.00 | 31.00 | 0.90 | 17.99 | 1023.84 | 4.28 |
| 80 | 16.0 | 18.00 | 28.00 | 0.90 | 17.99 | 1041.83 | 5.00 |
| 81 | 16.2 | 16.00 | 26.00 | 0.90 | 17.99 | 1059.82 | 5.62 |
| 82 | 16.4 | 15.00 | 25.00 | 0.90 | 17.99 | 1077.82 | 6.00 |
| 83 | 16.6 | 10.00 | 15.00 | 0.45 | 9.00 | 1086.82 | 4.50 |
| 84 | 16.8 | 9.00 | 14.00 | 0.45 | 9.00 | 1095.81 | 5.00 |
| 85 | 17.0 | 8.00 | 13.00 | 0.45 | 9.00 | 1104.81 | 5.62 |
| 86 | 17.2 | 9.00 | 14.00 | 0.45 | 9.00 | 1113.80 | 5.00 |
| 87 | 17.4 | 8.00 | 13.00 | 0.45 | 9.00 | 1122.80 | 5.62 |
| 88 | 17.6 | 10.00 | 15.00 | 0.45 | 9.00 | 1131.80 | 4.50 |
| 89 | 17.8 | 12.00 | 17.00 | 0.45 | 9.00 | 1140.80 | 3.75 |
| 90 | 18.0 | 18.00 | 28.00 | 0.90 | 17.99 | 1158.79 | 5.00 |
| 91 | 18.2 | 19.00 | 29.00 | 0.90 | 17.99 | 1176.78 | 4.74 |
| 92 | 18.4 | 15.00 | 25.00 | 0.90 | 17.99 | 1194.78 | 6.00 |
| 93 | 18.6 | 20.00 | 30.00 | 0.90 | 17.99 | 1212.77 | 4.50 |
| 94 | 18.8 | 10.00 | 20.00 | 0.90 | 17.99 | 1230.76 | 9.00 |
| 95 | 19.0 | 15.00 | 25.00 | 0.90 | 17.99 | 1248.76 | 6.00 |
| 96 | 19.2 | 20.00 | 30.00 | 0.90 | 17.99 | 1266.75 | 4.50 |
| 97 | 19.4 | 24.00 | 34.00 | 0.90 | 17.99 | 1284.75 | 3.75 |
| 98 | 19.6 | 20.00 | 30.00 | 0.90 | 17.99 | 1302.74 | 4.50 |
| 99 | 19.8 | 15.00 | 25.00 | 0.90 | 17.99 | 1320.73 | 6.00 |
| 100 | 20.0 | 18.00 | 28.00 | 0.90 | 17.99 | 1338.73 | 5.00 |
| 101 | 20.2 | 10.00 | 20.00 | 0.90 | 17.99 | 1356.72 | 9.00 |
| 102 | 20.4 | 12.00 | 22.00 | 0.90 | 17.99 | 1374.71 | 7.50 |
| 103 | 20.6 | 13.00 | 23.00 | 0.90 | 17.99 | 1392.71 | 6.92 |
| 104 | 20.8 | 15.00 | 25.00 | 0.90 | 17.99 | 1410.70 | 6.00 |
| 105 | 21.0 | 14.00 | 24.00 | 0.90 | 17.99 | 1428.69 | 6.43 |
| 106 | 21.2 | 15.00 | 29.00 | 1.26 | 25.19 | 1453.89 | 8.40 |
| 107 | 21.4 | 20.00 | 30.00 | 0.90 | 17.99 | 1471.88 | 4.50 |
| 108 | 21.6 | 19.00 | 29.00 | 0.90 | 17.99 | 1489.87 | 4.74 |
| 109 | 21.8 | 18.00 | 28.00 | 0.90 | 17.99 | 1507.87 | 5.00 |
| 110 | 22.0 | 12.00 | 22.00 | 0.90 | 17.99 | 1525.86 | 7.50 |
| 111 | 22.2 | 20.00 | 30.00 | 0.90 | 17.99 | 1543.85 | 4.50 |
| 112 | 22.4 | 15.00 | 25.00 | 0.90 | 17.99 | 1561.85 | 6.00 |
| 113 | 22.6 | 14.00 | 24.00 | 0.90 | 17.99 | 1579.84 | 6.43 |
| 114 | 22.8 | 18.00 | 28.00 | 0.90 | 17.99 | 1597.83 | 5.00 |
| 115 | 23.0 | 17.00 | 27.00 | 0.90 | 17.99 | 1615.83 | 5.29 |
| 116 | 23.2 | 20.00 | 30.00 | 0.90 | 17.99 | 1633.82 | 4.50 |
| 117 | 23.4 | 19.00 | 29.00 | 0.90 | 17.99 | 1651.82 | 4.74 |
| 118 | 23.6 | 20.00 | 30.00 | 0.90 | 17.99 | 1669.81 | 4.50 |
| 119 | 23.8 | 18.00 | 24.00 | 0.54 | 10.80 | 1680.61 | 3.00 |
| 120 | 24.0 | 16.00 | 26.00 | 0.90 | 17.99 | 1698.60 | 5.62 |
| 121 | 24.2 | 19.00 | 29.00 | 0.90 | 17.99 | 1716.59 | 4.74 |
| 122 | 24.4 | 21.00 | 31.00 | 0.90 | 17.99 | 1734.59 | 4.28 |
| 123 | 24.6 | 24.00 | 34.00 | 0.90 | 17.99 | 1752.58 | 3.75 |
| 124 | 24.8 | 22.00 | 32.00 | 0.90 | 17.99 | 1770.57 | 4.09 |
| 125 | 25.0 | 22.00 | 32.00 | 0.90 | 17.99 | 1788.57 | 4.09 |
| 126 | 25.2 | 25.00 | 35.00 | 0.90 | 17.99 | 1806.56 | 3.60 |
| 127 | 25.4 | 28.00 | 38.00 | 0.90 | 17.99 | 1824.55 | 3.21 |
| 128 | 25.6 | 24.00 | 34.00 | 0.90 | 17.99 | 1842.55 | 3.75 |
| 129 | 25.8 | 25.00 | 35.00 | 0.90 | 17.99 | 1860.54 | 3.60 |
| 130 | 26.0 | 27.00 | 37.00 | 0.90 | 17.99 | 1878.54 | 3.33 |
| 131 | 26.2 | 29.00 | 39.00 | 0.90 | 17.99 | 1896.53 | 3.10 |
| 132 | 26.4 | 30.00 | 40.00 | 0.90 | 17.99 | 1914.52 | 3.00 |
| 133 | 26.6 | 28.00 | 38.00 | 0.90 | 17.99 | 1932.52 | 3.21 |
| 134 | 26.8 | 27.00 | 37.00 | 0.90 | 17.99 | 1950.51 | 3.33 |
| 135 | 27.0 | 28.00 | 38.00 | 0.90 | 17.99 | 1968.50 | 3.21 |
| 136 | 27.2 | 26.00 | 36.00 | 0.90 | 17.99 | 1986.50 | 3.46 |
| 137 | 27.4 | 27.00 | 37.00 | 0.90 | 17.99 | 2004.49 | 3.33 |
| 138 | 27.6 | 30.00 | 40.00 | 0.90 | 17.99 | 2022.48 | 3.00 |
| 139 | 27.8 | 32.00 | 42.00 | 0.90 | 17.99 | 2040.48 | 2.81 |
| 140 | 28.0 | 32.00 | 42.00 | 0.90 | 17.99 | 2058.47 | 2.81 |

| | | | | | | | |
|-----|------|-------|-------|------|-------|---------|------|
| 141 | 28.2 | 35.00 | 45.00 | 0.90 | 17.99 | 2076.46 | 2.57 |
| 142 | 28.4 | 28.00 | 38.00 | 0.90 | 17.99 | 2094.46 | 3.21 |
| 143 | 28.6 | 30.00 | 40.00 | 0.90 | 17.99 | 2112.45 | 3.00 |
| 144 | 28.8 | 35.00 | 45.00 | 0.90 | 17.99 | 2130.45 | 2.57 |
| 145 | 29.0 | 32.00 | 42.00 | 0.90 | 17.99 | 2148.44 | 2.81 |
| 146 | 29.2 | 30.00 | 40.00 | 0.90 | 17.99 | 2166.43 | 3.00 |
| 147 | 29.4 | 29.00 | 39.00 | 0.90 | 17.99 | 2184.43 | 3.10 |
| 148 | 29.6 | 35.00 | 45.00 | 0.90 | 17.99 | 2202.42 | 2.57 |
| 149 | 29.8 | 40.00 | 50.00 | 0.90 | 17.99 | 2220.41 | 2.25 |
| 150 | 30.0 | 60.00 | 70.00 | 0.90 | 17.99 | 2238.41 | 1.50 |

Gambar Hasil Pengujian Sondir Pada S3
(sumber : Laporan Hasil Penyelidikan Tanah Pasar Anyar)

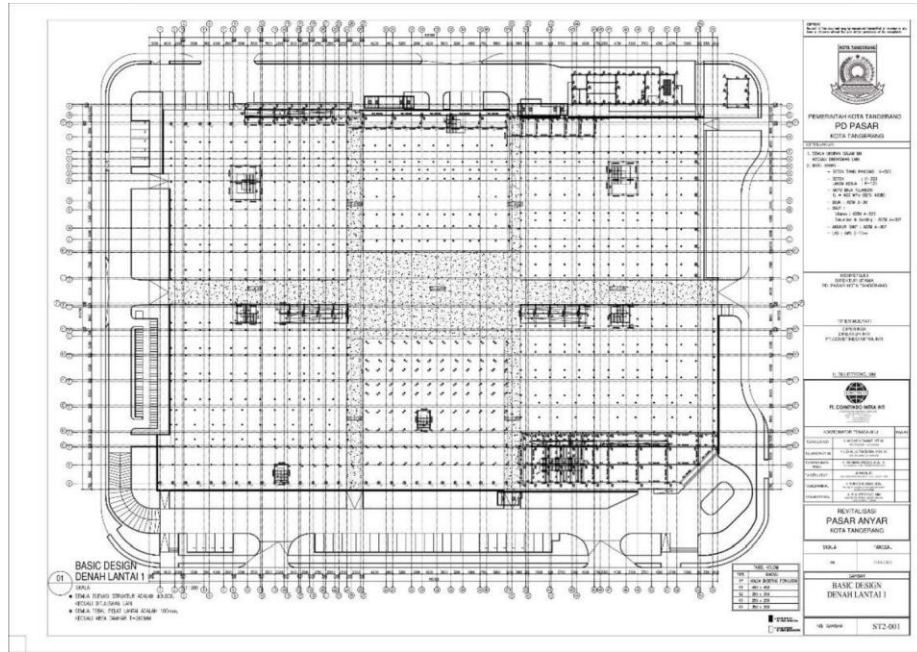


Gambar Detail Pilecap (1)
 (sumber : Data Perencanaan PT. Cometindo Mitra Inti)

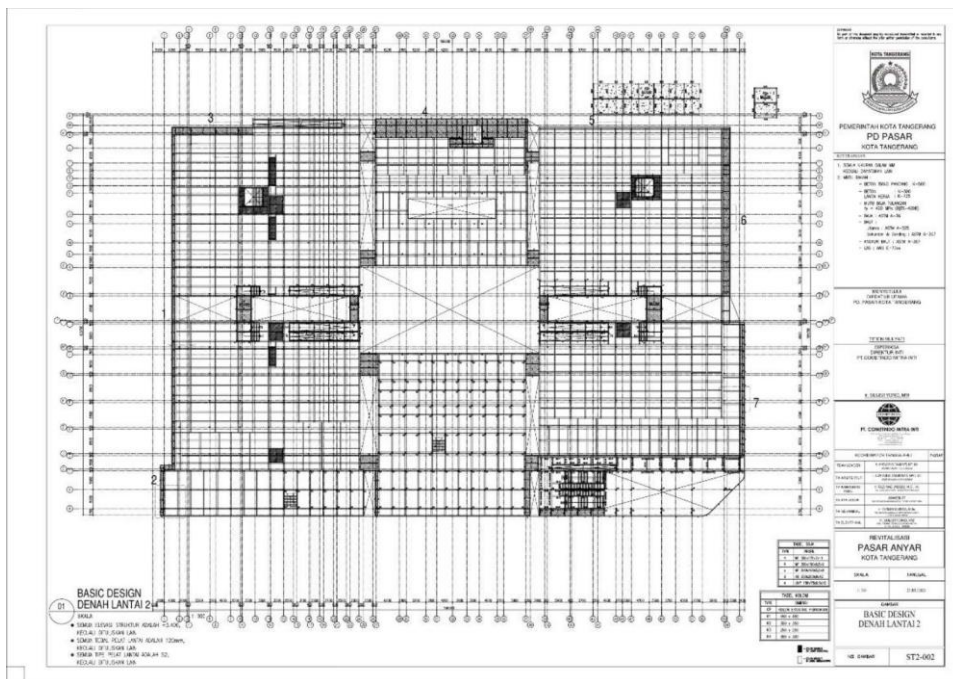


Gambar Detail Pilecap (2)
 (sumber : Data Perencanaan PT. Cometindo Mitra Inti)

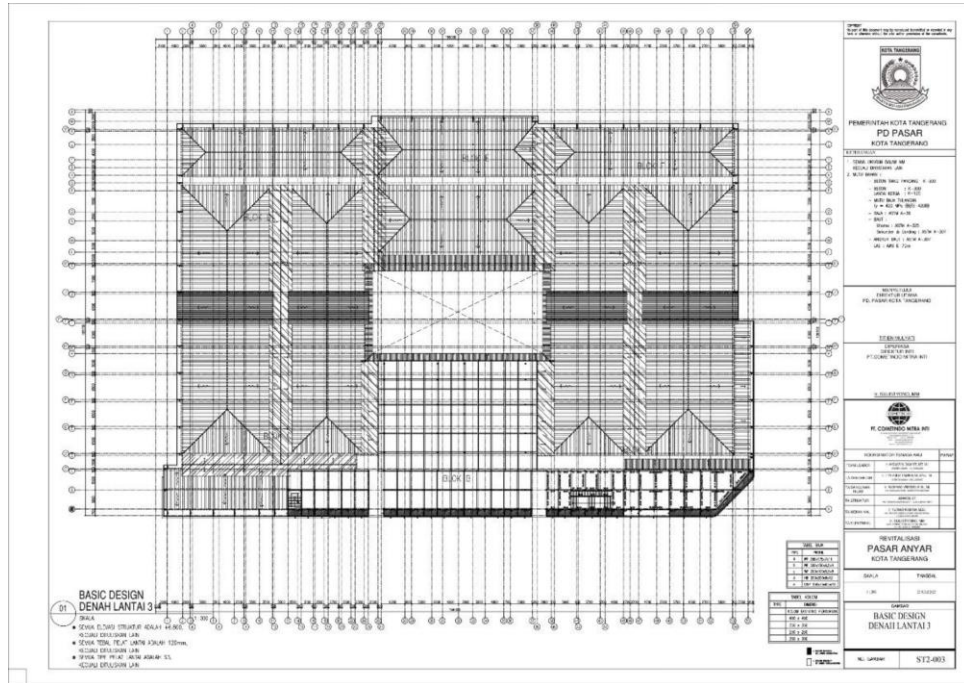
➤ DENAH RENCANA – PRA



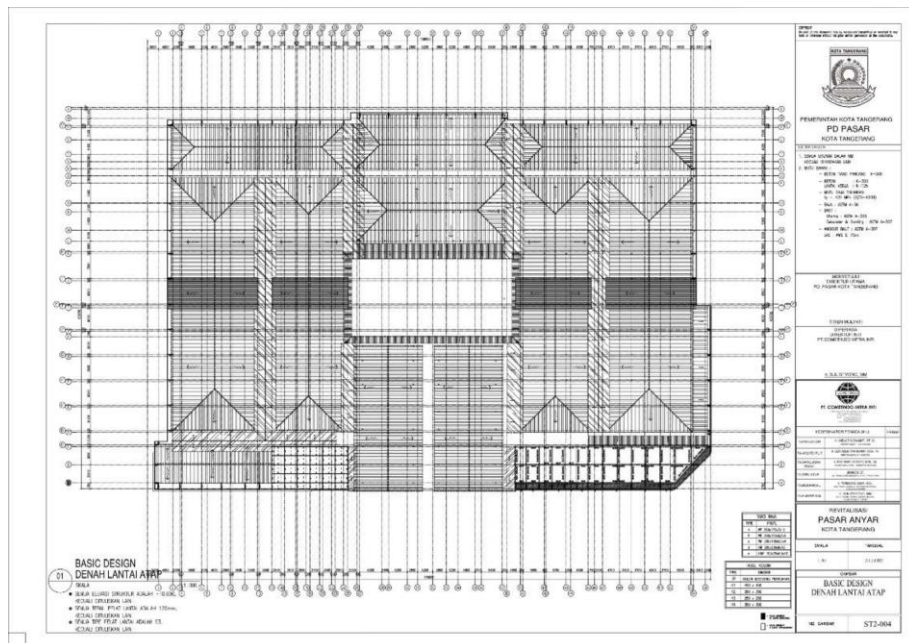
Gambar Rencana Denah Lantai (1)
 (sumber : Data Perencanaan PT. Cometindo Mitra Inti)



Gambar Rencana Denah Lantai (2)
 (sumber : Data Perencanaan PT. Cometindo Mitra Inti)



Gambar Rencana Denah Lantai (3)
 (sumber : Data Perencanaan PT. Cometindo Mitra Inti)



Gambar Rencana Denah Lantai Atas
 (sumber : Data Perencanaan PT. Cometindo Mitra Inti)

➤ RENCANA GAMBAR 3D

