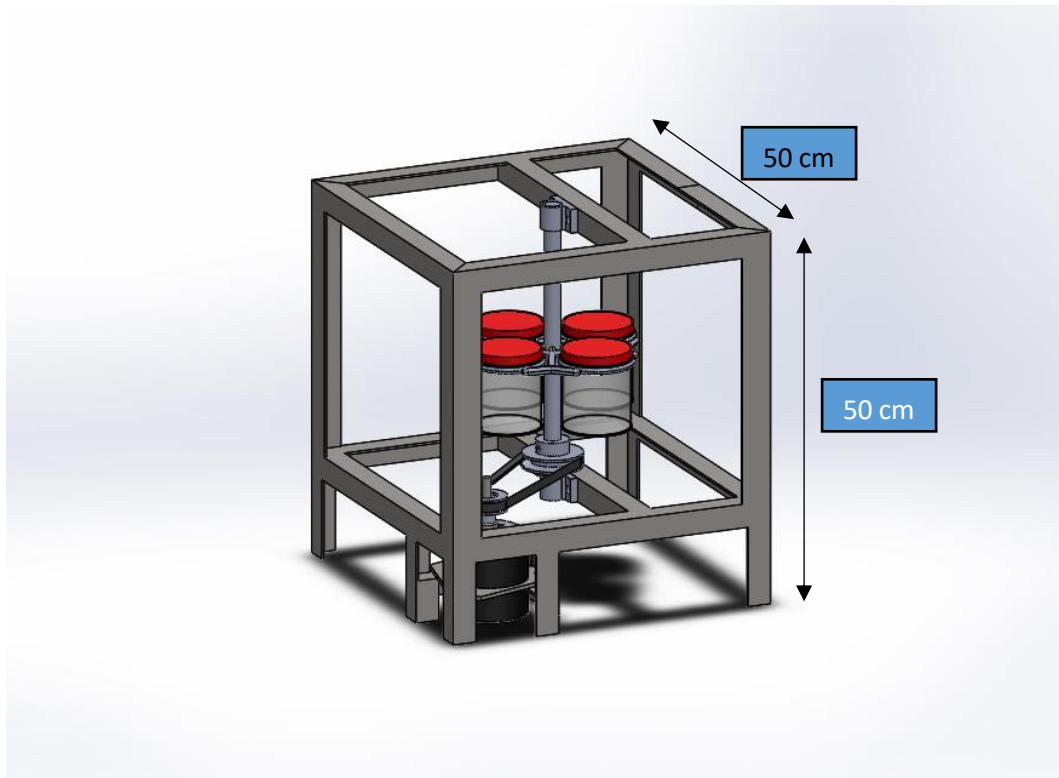
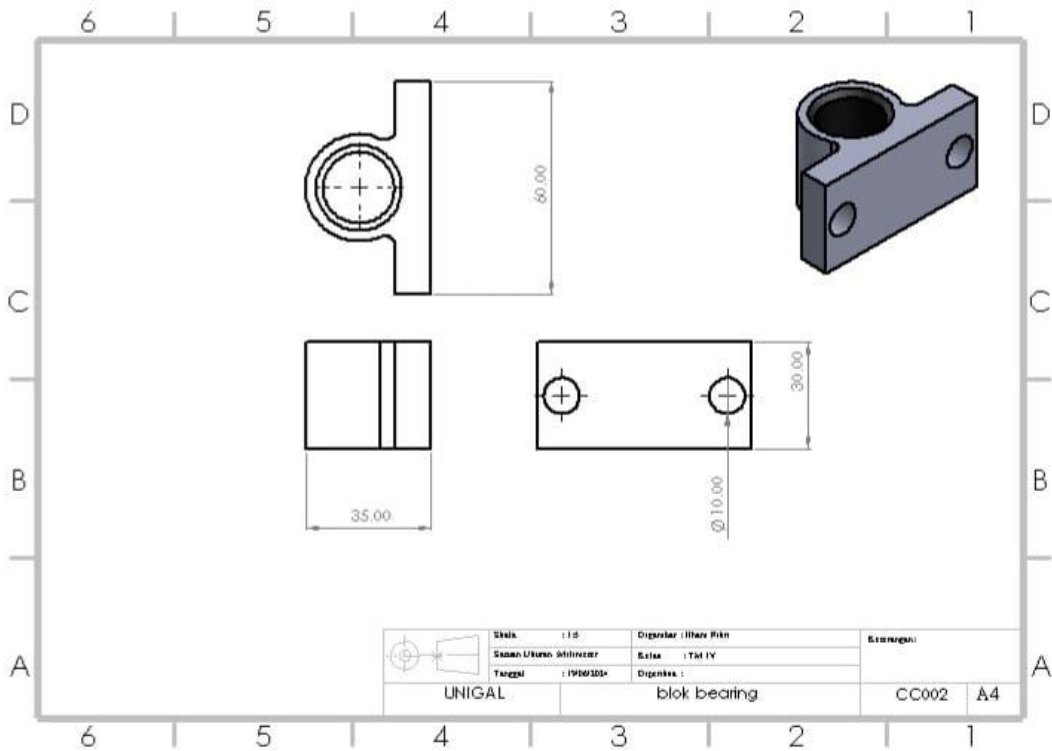
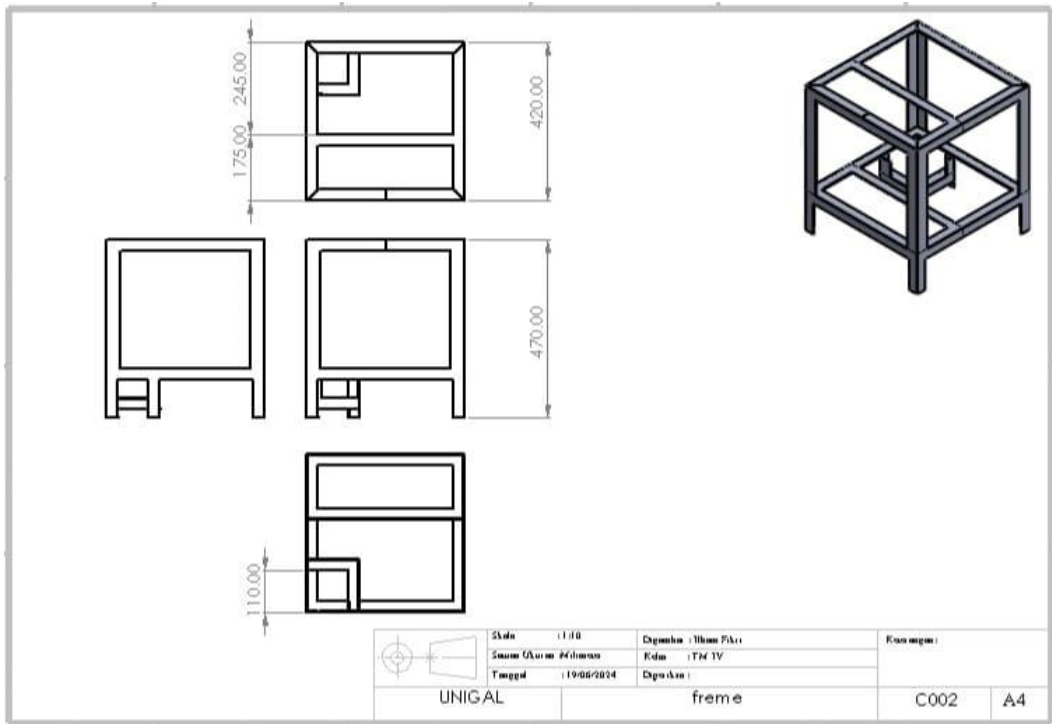
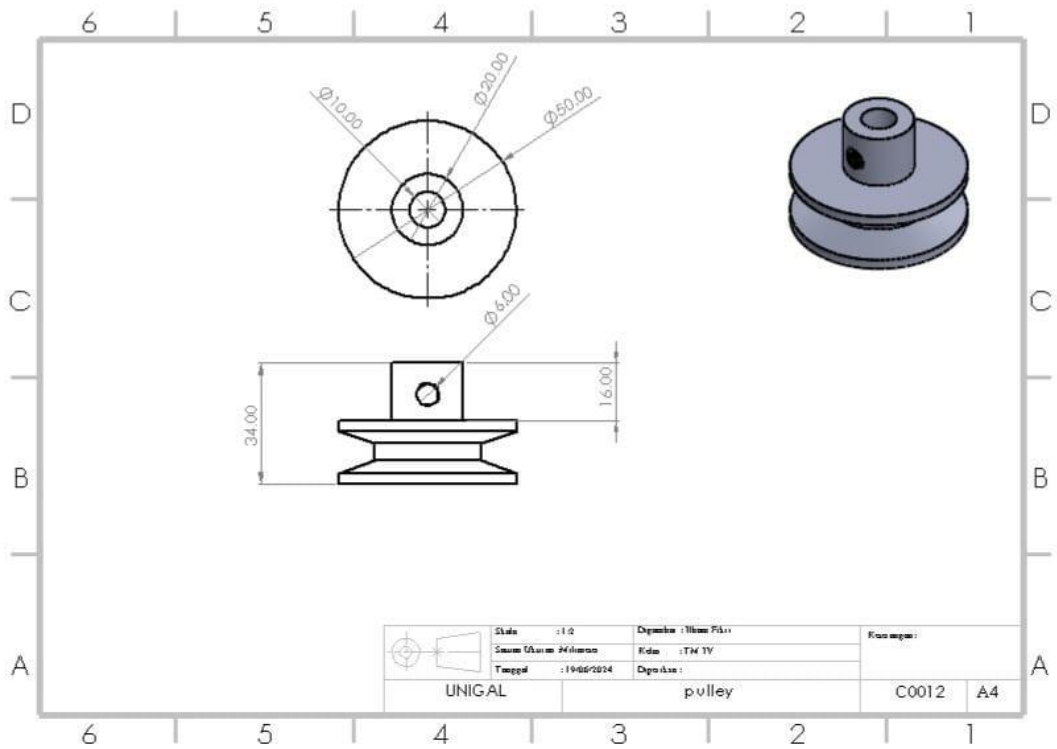
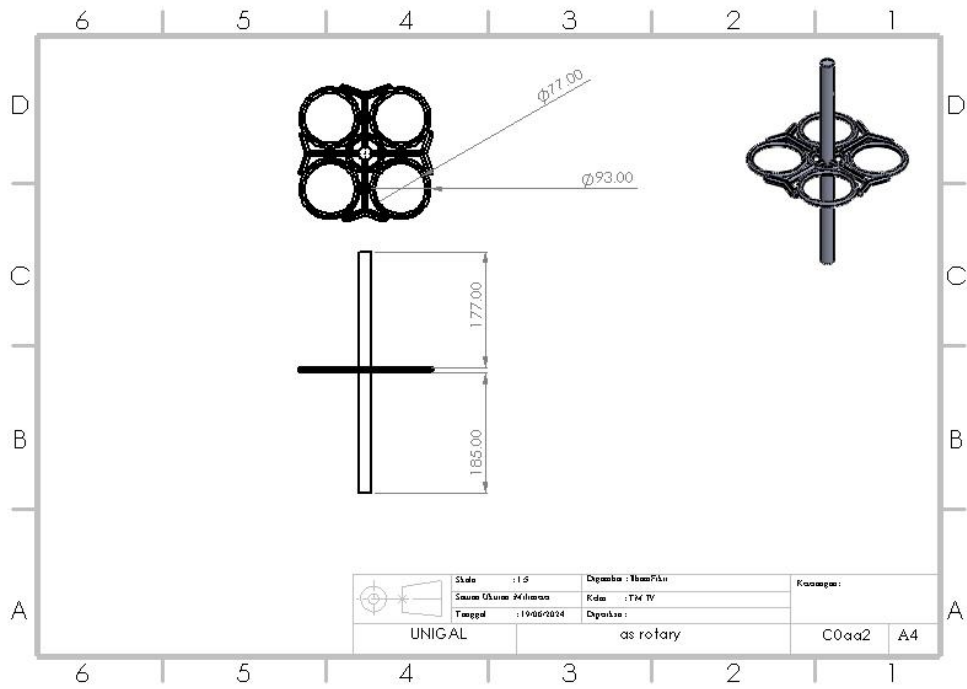
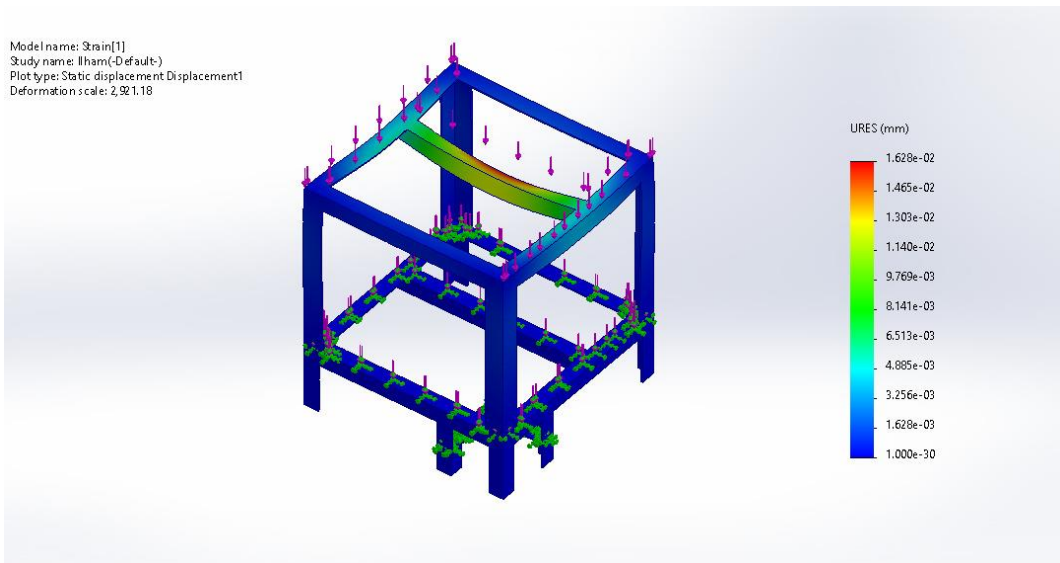
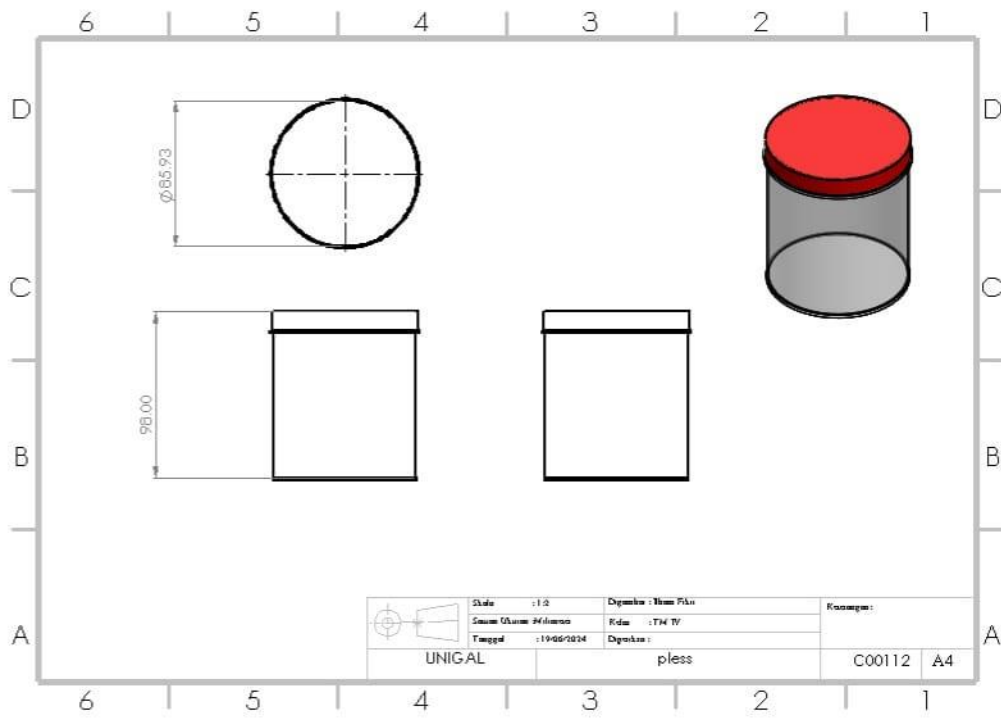


LAMPIRAN

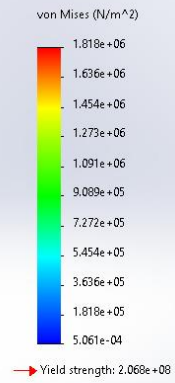
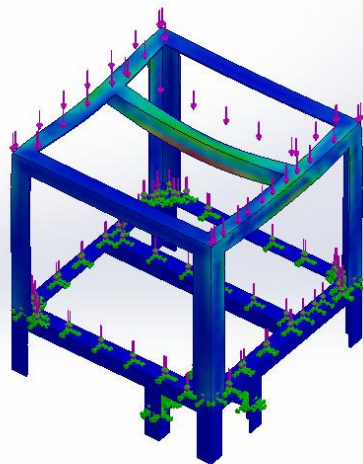




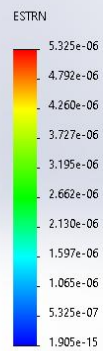
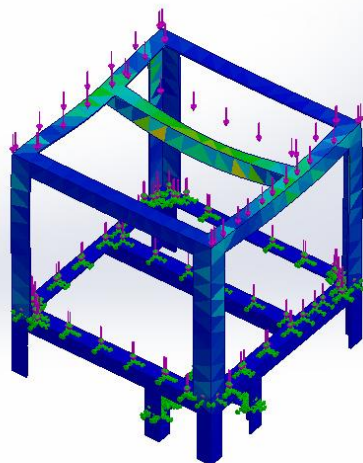




Model name: Strain[1]
Study name: Ilham-(Default-)
Plot type: Static modal stress Stress1
Deformation scale: 2,921.18



Model name: Strain[1]
Study name: Ilham-(Default-)
Plot type: Static strain Strain1
Deformation scale: 2,921.18



Model name: Strain[1]
Study name: Ilham-(Default-)
Plot type: Factor of Safety Factor of Safety2
Criterion : Automatic
Factor of safety distribution: Min FOS = 1.1e+02

