

LAMPIRAN

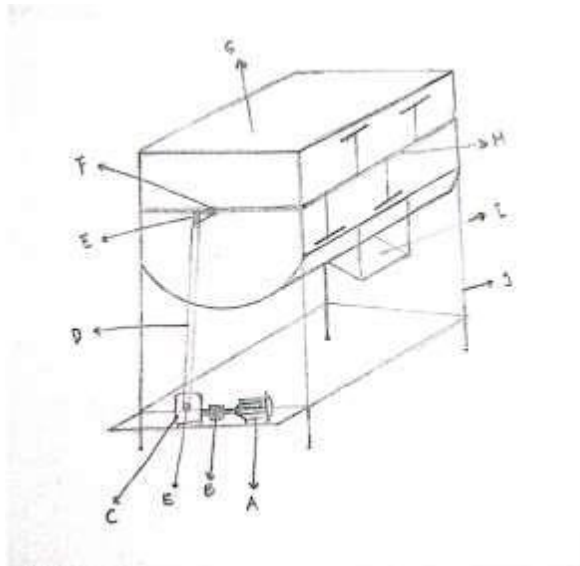


Figure 1 Sketsa Modeling

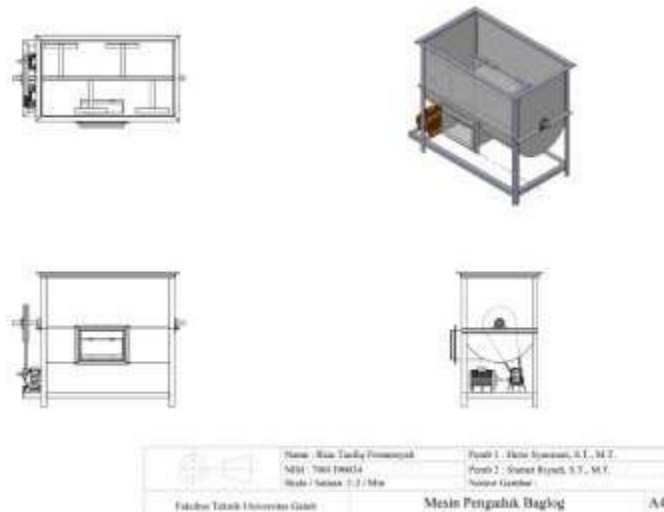


Figure 2 Desain Gambar

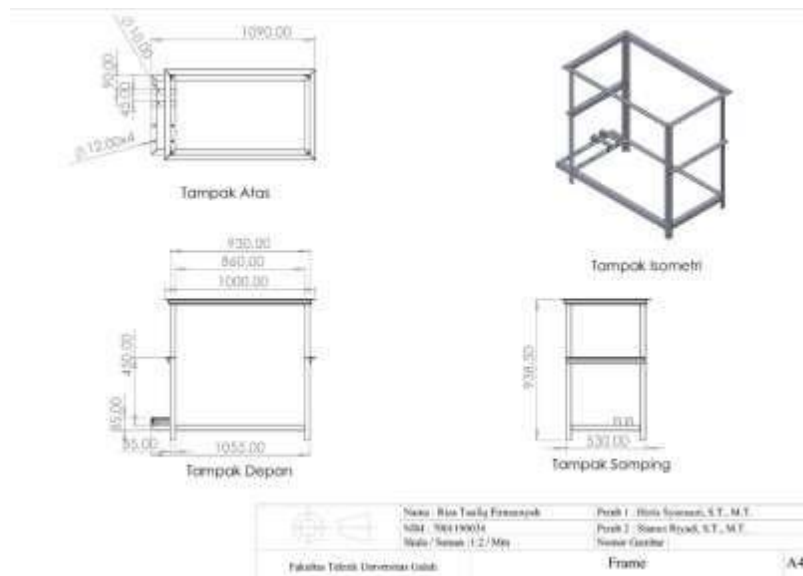


Figure 3 Frame

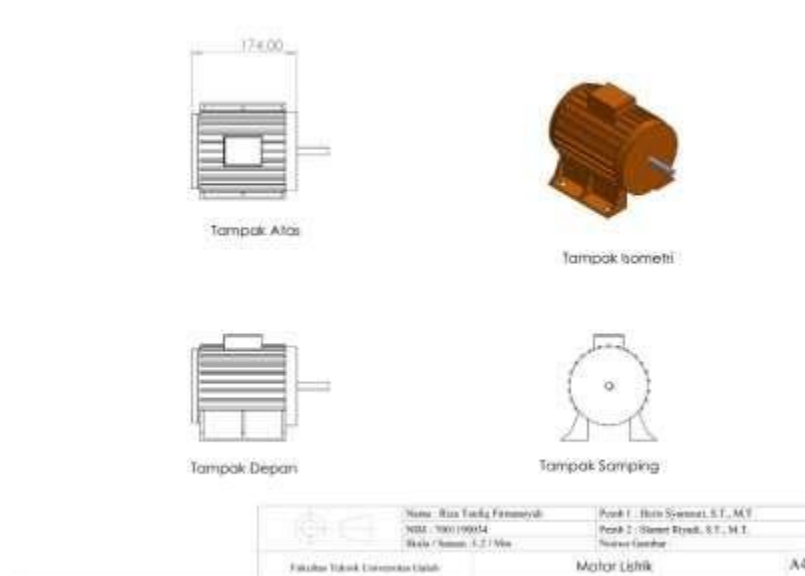


Figure 4 Motor Listrik

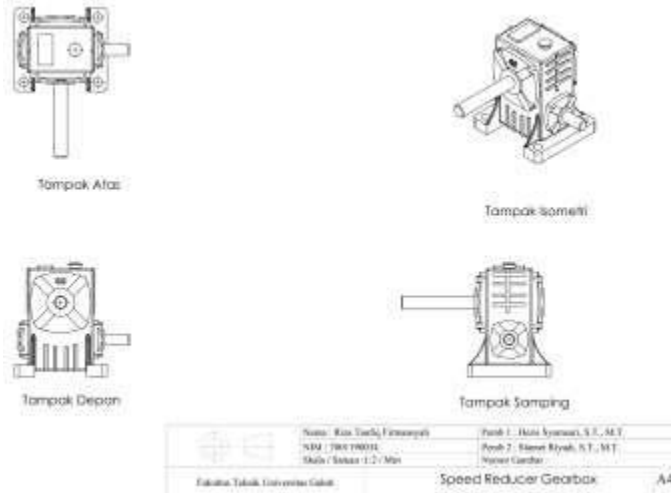


Figure 5 Gearbox

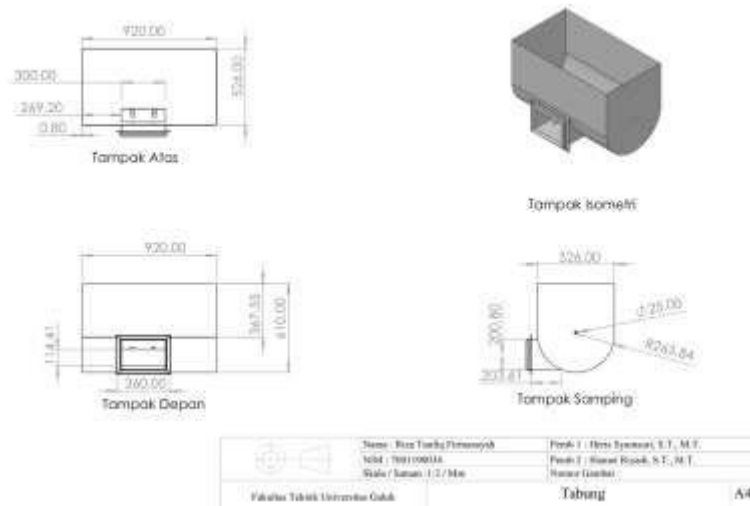


Figure 6 Tabung

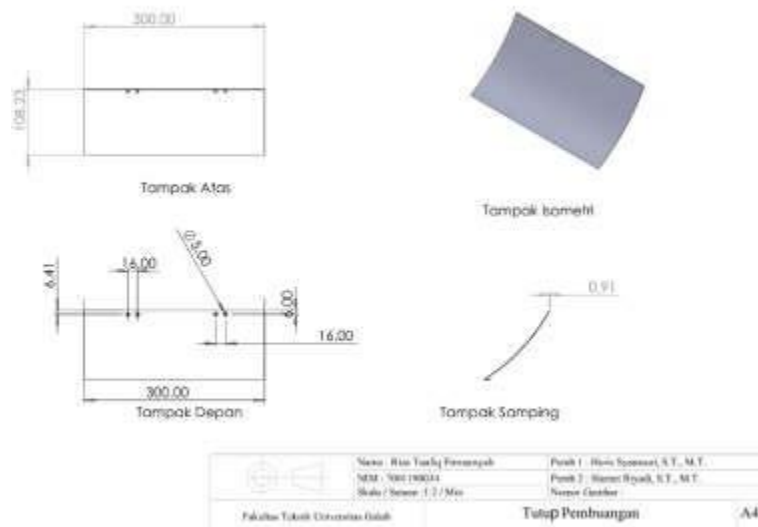


Figure 7 Tutup Pembuangan

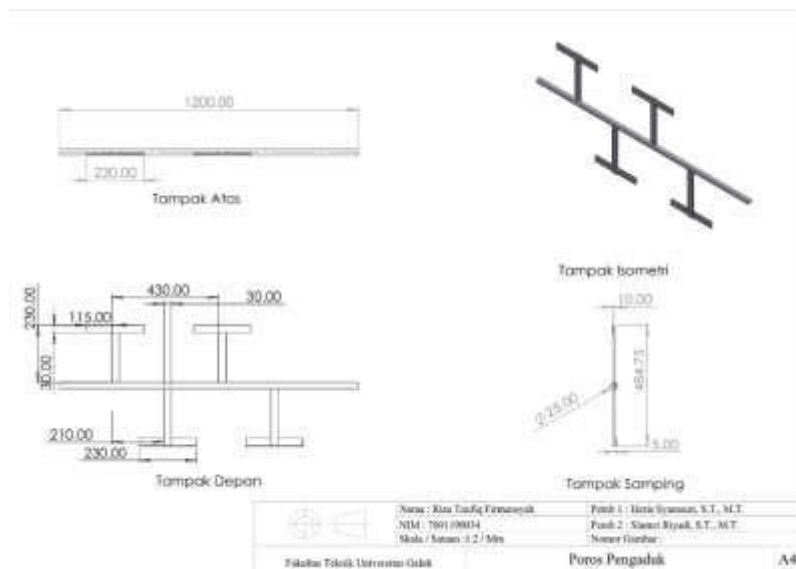


Figure 8 Poros Pengaduk

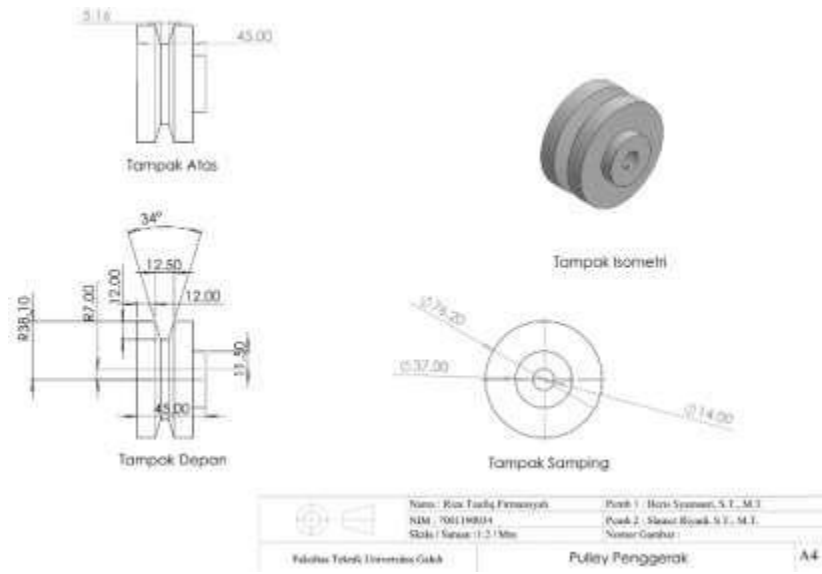


Figure 9 Puli 1

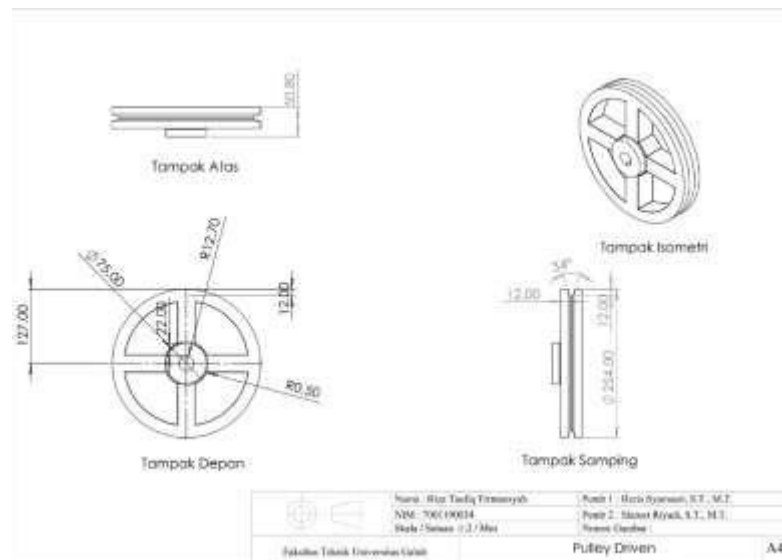


Figure 10 Puli 2

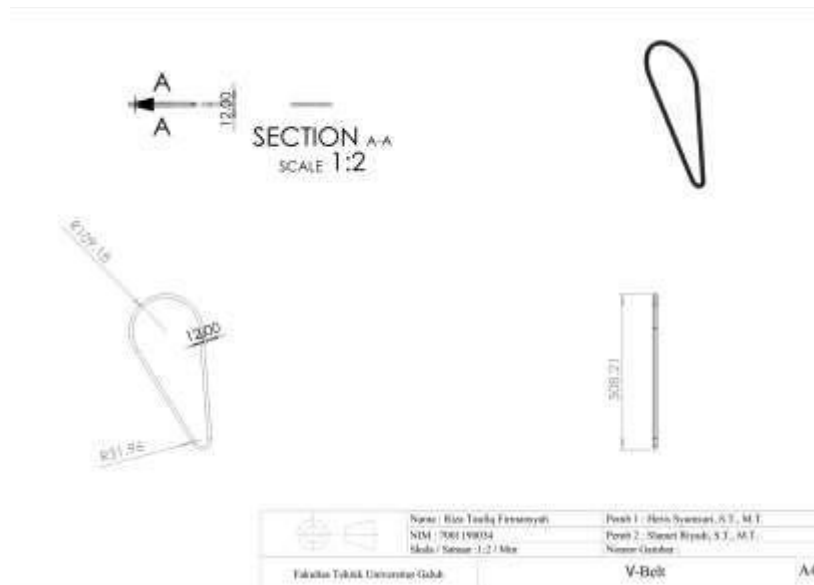


Figure 11 V – Belt

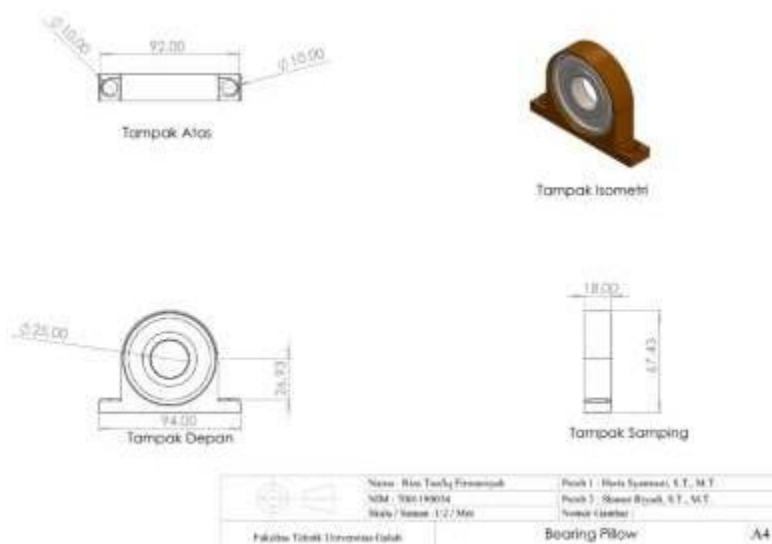


Figure 12 Bantalan Bearing

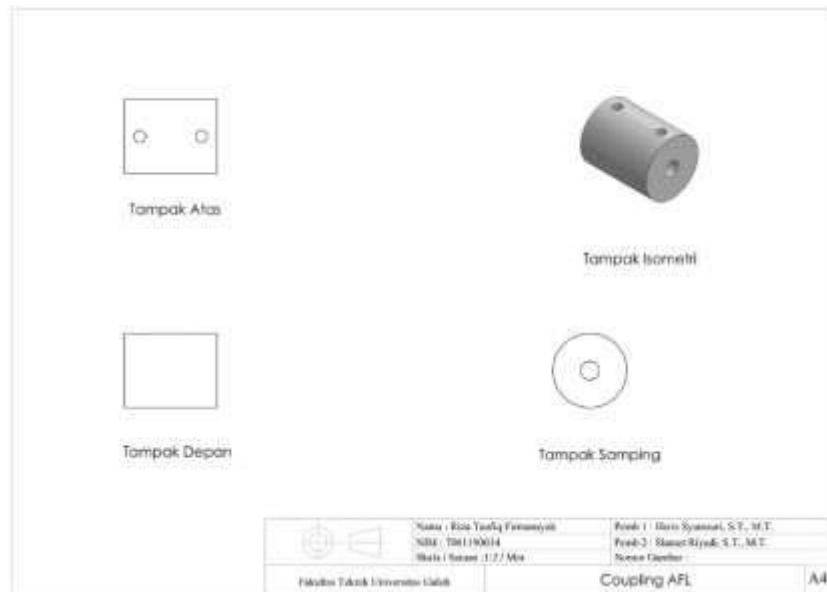


Figure 13 Sambungan



Figure 14 Mesin Pengaduk Bahan Baglog